

# American Vaulting Association 2019 RULE BOOK



The American Vaulting Association is a member of the  
United States Equestrian Federation.

THE MOST CURRENT ONLINE VERSION  
OF THIS RULE BOOK SUPERSEDES  
ALL PREVIOUS EDITIONS  
(*Rule Book updated 2/6/2019*)

American Vaulting Association  
1443 E. Washington Blvd, # 289  
Pasadena, CA 91104  
Phone: 323/654-0800, Fax: 323/654-4306  
Email: [info@americanvaulting.org](mailto:info@americanvaulting.org)

Visit [www.americanvaulting.org](http://www.americanvaulting.org) for current  
rules, more information and contacts.

Copyright© 2019 by the American Vaulting Association.  
All rights reserved. Reproduction without permission is strictly prohibited.

# TABLE OF CONTENTS

---

<b>CONSTITUTION</b> .....	1
<b>BYLAWS</b> .....	2
Article I — Membership .....	2
Article II — Regions .....	4
Article III — Board of Directors .....	4
Article IV — Officers .....	5
Article V — Committees .....	8
Article VI — Conflict of Interest and Duality of Interest .....	9
Article VII — Elections and Voting .....	9
Article VIII — Meetings .....	10
Article IX — National Office .....	11
Article X — Seal.....	11
Article XI — Amendments .....	11
Article XII — Dissolution .....	11
Article XIII — Parliamentary Authority .....	11
<b>AVA STANDING RULES</b> .....	12
Section I — Membership .....	12
Section II — Vice Presidents .....	15
Section III — Committees — General Rules .....	16
Section IV — Nominations and Elections .....	17
Section V — Regions .....	18
Section VI — Meetings .....	19
Section VII — National Championships .....	20
Section VIII — Recognized Competitions .....	21
Section IX — Medal Examinations .....	27
Section X — Judges Program .....	29
Section XI — Protests and Grievances .....	30
<b>AVA RULES FOR VAULTING</b> .....	31
Chapter I — General .....	31
Chapter II — Recognized National Events.....	40
Team.....	40
Individual.....	45
Pas de Deux .....	61
2-Phase Team .....	66

## TABLE OF CONTENTS

---

Chapter III — Scoring .....	68
Chapter IV — Medals .....	77
Chapter V — Judges .....	80
Chapter VI — Protests and Grievances .....	83
Chapter VII — Amendments to the Rule Book .....	85

### GUIDELINES

<b>Appendix A</b> .....	86
Chapter VIII .....	86
Chapter IX – Individual Canter Barrel Event .....	86
Chapter X – Individual Preliminary Trot Horse Event .....	87
Chapter XI – Trot Team 2-Phase Event .....	89
Chapter XII – Individual Trot Barrel Event .....	90
<b>Appendix B</b> .....	91
Chapter XIII .....	91
Chapter XIV – “D” Team Event .....	91
Chapter XV – Preliminary Trot Team Horse Compulsories Event .....	93
<b>Appendix C</b> .....	95
Chapter XVI – Novice Events .....	95
Chapter XVII – Special Pairs Event .....	97
Awards – Individual Novice Classes .....	97
<b>Appendix D</b> .....	98
Description of Individual 3*/Gold/Silver/Bronze, A/B Team Compulsory Exercises (2*/3*) .....	98
Description of Copper/Trot and C/Trot/Preliminary 2-Phase Team Compul- sory Exercises (1*) .....	101
Proposed Dismounts for Individual Copper and Individual Trot .....	102
Barrel Specifications .....	103



# CONSTITUTION

The name of the corporation shall be the American Vaulting Association, Inc. (AVA).

## MISSION

The mission of the AVA is to expand the recognition and accessibility of the sport of Equestrian Vaulting.

## PURPOSE

The purpose of the AVA shall be to provide the infrastructure to support and expand the sport of equestrian vaulting. This shall include:

1. To promote interest in equestrian vaulting — the art of gymnastics/ dance on the back of a moving horse.
2. To educate and inform members and the general public through a variety of print and electronic media.
3. To make and provide resources for study and training.
4. To sponsor clinics, forums and workshops for the training of vaulters, coaches, longeurs, horses and judges.
5. To establish rules for recognized competitions.
6. To license judges.
7. To oversee the management of the national championships.
8. To establish standards for achievement awards.
9. To maintain records of the sport for the use of its members.
10. To perform other educational and administrative functions to assist in the promotion and development of the sport.

Any questions, corrections or proposed changes to the AVA By-laws or Standing Rules should be sent to the Chair of the Constitution, By-laws and Standing Rules Committee, care of the AVA. See AVA Directory or a current issue of *Equestrian Vaulting Magazine* for contact information.

**American Vaulting Association**

1443 E Washington Blvd #289, Pasadena, CA 91104

Email: [info@americanvaulting.org](mailto:info@americanvaulting.org), Ph: 323-654-0800, Fx: 323-654-4306

**[www.americanvaulting.org](http://www.americanvaulting.org)**

Visit **[www.usef.org](http://www.usef.org)** for the United States Equestrian Federation Rule Book, including current USEF Rules for Vaulting online, USEF, 4047 Iron Works Parkway, Lexington, KY 40511  
Phone: 606/258-2472, Fax: 606/231-6662

Visit **[www.fei.org](http://www.fei.org)** for the current FEI International Vaulting Rules online.

# **BYLAWS**

The Bylaws are the rules adopted by the association chiefly for the governance of its members and the regulation of its affairs. Bylaws must be approved by the members of the association and govern the general organization of the association. Bylaws include rules concerning the categories of membership, election of directors, organization of the association, and amendment of existing Bylaws.

## **ARTICLE I — MEMBERSHIP** (see Standing Rules, Section I, Membership for more information)

**Section 1.** There shall be three classes of membership: Club Membership, Individual Membership, and Family Membership. All membership, with the exception of Life Members (see Article I, Section 4.c, and Standing Rules Section I.B.2.e), must pay annual dues to the AVA in order to remain current. Life members shall pay a one-time fee to the AVA.

**Section 2.** The Board of Directors, or the Treasurer acting subject to the oversight of the Board of Directors, may revoke and/or may decline to accept annual dues of any Member of the AVA who does not conform to such regulations and requirements as shall from time to time be adopted by the Board of Directors.

**Section 3.** There are two categories of Club Membership: Regular and Affiliate.

- a. Regular Club Membership is for the registration of recognized Clubs who have paid their annual dues and assessments. Club membership is essentially a group membership which includes individuals who participate in competitions, medals tests, and competition awards and has no vote as a Club, nor do its members as individuals, under this category. The AVA shall recognize, as member clubs, vaulting clubs which conform to such regulations and requirements as shall from time to time be adopted by the Board of Directors. All individual Club members, including all coaches and longeurs, must be Individual Members of the AVA, and shall pay annual dues to the AVA. This amount shall be collected by the Club manager and forwarded as of January 1 to the National Office Manager with a list of current members. Throughout the year, new members shall pay their dues at the time of joining a Club, at which time dues will be forwarded to the National Office Manager.
- b. Affiliate Membership is for organizations interested in recreational vaulting, who have paid their annual dues. Affiliate Membership is a group membership which includes vaulters under the age of 18 and has no vote as a club, nor do its members as individuals, under

## 2019 AVA CONSTITUTION & BYLAWS

---

this category. Vaulters may not compete in AVA Recognized Competitions or receive AVA medals or awards.

**Section 4.** There are four categories of Individual Membership: Youth, Adult, Life, and Associate. Life members have the rights defined below based on their age. Individual members may register as members of a Club or as Independents. Individual Members who are members of a Registered Club must register as members of that Club (see Article I, Section 3.a.).

- a. Youth Membership is for individuals, including competitors, coaches and longeurs, under 18 years of age. Youth Members have no vote. Youth Members in good standing shall be eligible to:
  - i. Compete in AVA Recognized Competitions
  - ii. Receive AVA medals, certificates and other awards
  - iii. Attend AVA sponsored educational clinics and seminars
  - iv. Attend all official AVA functions
- b. Adult Membership is for individuals, including competitors, coaches and longeurs, 18 years of age or older. Age is based on age as of January 1 of the calendar year. Adult Members in good standing shall be eligible to:
  - i. Compete in AVA Recognized Competitions
  - ii. Receive AVA medals, certificates and other awards
  - iii. Attend AVA sponsored educational clinics and seminars
  - iv. Attend all official AVA functions
  - v. Vote in all AVA Elections
  - vi. Serve as members of the Board of Directors
  - vii. Hold Office
- c. Life members are Individual Members who have paid the appropriate fee as established by the Board of Directors and who will be subject to no further dues during their lifetimes. Life members in good standing are eligible to the benefits defined in paragraph a. or b. consistent with the member's age as defined in Article I. Section 4.b.
- d. Associate membership is a special category established in order to promote membership and involvement in the association. Associate memberships may be listed and promoted under a variety of names as determined by the Executive Board from time to time in order to target particular interest groups. Associate memberships may not vote, compete, serve on the Board of Directors, or hold office in the Association. The Executive Board shall determine the benefits for Associate Members. (See Standing Rules I.B.3.)

**Section 5.** Family membership is a group membership which shall consist of three or more members of a single family who have paid their annual dues, with all the rights and privileges therein, as appropriate for the age of the members. Family Members 18 years of age or older are Adult Members;

# 2019 AVA CONSTITUTION & BYLAWS

---

Family Members under the age of 18 are Youth Members. All Family members in good standing shall be entitled to:

- i. Compete in AVA Recognized Competitions
- ii. Receive AVA medals, certificates and other awards
- iii. Attend AVA sponsored educational clinics and seminars
- iv. Attend all official AVA functions

Each Adult Family Member shall be entitled to:

- v. One vote in all AVA Elections
- vi. Serve as members of the Board of Directors
- vii. Hold Office

**ARTICLE II — REGIONS** (See Standing Rules, Section V, Regions for more information)

**Section 1.** An AVA Region is a geographically defined area with its own internal financial and administrative structure and representation on the AVA Board of Directors. Internal structure of AVA Regions is in harmony with AVA Constitution and Bylaws.

**Section 2.** Regional boundaries shall be established by the Board of Directors based on geographical areas, not to exceed twelve (12) Regions.

**Section 3.** The Board of Directors shall periodically review the Region boundaries and revise the boundaries, if necessary, to ensure they meet the needs of the association.

**ARTICLE III — BOARD OF DIRECTORS** (see Standing Rules, Section II, Vice Presidents for more information)

**Section 1.** The number of Directors shall not be less than fifteen (15) nor more than thirty-nine (39). At each official election, the number shall be determined by the Board of Directors, prior to the election. Those nominees receiving the highest number of votes up to the number of Board vacancies will be elected to the Board on a mail ballot. Regional Supervisors, duly elected by the Region or approved by the Board of Directors, shall be ex-officio members of the Board of Directors.

**Section 2.** Directors shall serve two-year terms, beginning January 1st of the year following the election. One half of the directors shall be elected each year, to insure a rotating Board as well as continuity.

**Section 3.** Directors of the Board, Executive Officers, and Regional Supervisors (elected official) shall be elected from eligible Individual Members in good standing and shall maintain a current AVA Membership while serving in an elected capacity, participating in a Board Meeting or conducting the business of the Association. Any elected official failing to maintain a current



## 2019 AVA CONSTITUTION & BYLAWS

---

AVA Membership may not participate in Board meetings and/or other Association business until the AVA membership is brought current.

**Section 4.** At all meetings of the Board of Directors, one-third of its members shall constitute a quorum. Directors shall, in case of absence from the meeting, wherever possible, communicate their positions in writing on the basis of the advanced agenda. Comments received by the AVA General Secretary in advance of a Board of Director's meeting will be distributed to all participants in the meeting. Regardless of the number of positions held by any individual serving on the Board (i.e. Board Member and Regional Supervisor; Board Member and Officer) no individual will be counted more than once toward the quorum and no individual has more than one vote on the Board of Directors.

**Section 5.** The Board of Directors shall manage the affairs of the Association and may authorize or review contracts to be made by officers of the Association. Directors shall approve an annual budget. Directors shall establish annual membership dues by three-quarter vote of all directors. The Directors shall be charged with the responsibility of fulfilling to the greatest extent possible the purposes of this Association.

**Section 6.** The Board of Directors shall encourage and maintain open communication with the members in matters concerning the Association. The Board shall consult the members on any matters which, in its judgment, require the action of the general membership. The Board is subject to the orders of the Association, and none of its acts shall conflict with actions taken by the Association.

**Section 7.** Violations of rules will be dealt with on an individual basis, and the Board of Directors reserves the right to impose fines, probations, suspensions or censures after mutual attempts have been made at an equitable solution.

**Section 8.** The final contract between the National Office Manager and the AVA shall be approved by the Executive Board.

### **ARTICLE IV — OFFICERS** (see Standing Rules, Section II, Vice Presidents for more information)

**Section 1. Elected Officers.** The elected officers of the Association shall be President, Executive Vice President, General Secretary, Treasurer and such Vice Presidents and other officers as may from time to time be determined by the Board of Directors. These officers shall be elected biennially by simple majority vote of the Membership at each appropriate general election of the Association. The elected officers shall be members of the Board of Directors. The officers shall hold office during the ensuing two years, until their successors are installed at the first Board of Directors meeting following the election. The President and General Secretary shall be elected in even numbered years; the Executive Vice

## 2019 AVA CONSTITUTION & BYLAWS

---

President and Treasurer shall be elected in odd numbered years. In order to be nominated and run for an Officer position, members must meet the following prerequisites:

- a. President, Executive Vice President, Treasurer- Must have completed one full term as a member of the Board of Directors.
- b. General Secretary, Vice President - Must have attended at least one Board meeting and served successfully on one National level committee.
- c. Notwithstanding, the prerequisites identified in Section 1.b., the Nominating Committee, with prior consent of a majority of the Board of Directors as documented through a mail/email vote, may submit nominees for Vice President or General Secretary who fail to meet the prerequisites.

**Section 2. Executive Board.** The Executive Board shall consist of the President, Executive Vice President, General Secretary, Treasurer and such Vice Presidents and other officers as may from time to time be determined by the Board of Directors. The immediate Past-President and Technical Advisor shall serve in an advisory capacity to the Executive Board. The Executive Board shall have the power to transact all business of the Association between meetings of the Board of Directors and to make contracts in the name of or on behalf of the AVA. Contracts may only be entered into by direction of the Executive Board. One-half of the voting members shall constitute a quorum.

**Section 3. President.** The President shall be the chief executive officer of the Association.

- a. The President, with the Executive Vice President or General Secretary, shall sign all contracts and obligations of the Association and perform such other duties as may be assigned to him by the Board of Directors.
- b. The President shall appoint all committee chairmen with the approval of the Executive Board. He shall be ex-officio member of all committees except the Nominating and Ballot Committees.
- c. The President may, at any time, call a meeting of the Board of Directors and must do so at the request of eight (8) Directors, notice of such meeting to be given at least three (3) weeks prior to the meeting date.
- d. The President, with the approval of the Executive Board, may fill by appointment any vacancies in Officer positions that occur during a term. The appointee shall serve until the next general election of the Association at which time the vacancy will be filled by election to serve the balance of the unexpired term.
- e. The President, after consultation with the affected Region, may fill by appointment any vacancies in Regional Supervisor positions that

## 2019 AVA CONSTITUTION & BYLAWS

---

occur during a term. The appointee shall serve until the next general election of the Association at which time the vacancy will be filled by election to serve the balance of the unexpired term.

**Section 4. Executive Vice President.** The Executive Vice President shall provide oversight of and guidance to the National Office; shall assure that duties of and assignments to the National Office are completed within the defined standards of performance and shall assist with resolution of problems involving the National Office. In the absence of the President, the Executive Vice President shall exercise any power or duty of the President. In case of the resignation, removal or death of the President, the Executive Vice President automatically becomes President until the next regular election of officers.

**Section 5. General Secretary.** The General Secretary shall give notice to the members of the Board of Directors of all meetings; shall send out, in advance, the agendas prepared by the President to the Directors, Executive Board and others concerned at least ten (10) days prior to the meeting date. He shall take minutes of the meetings; shall distribute immediately following a summary of the minutes to the Board of Directors, Executive Board and others concerned; and shall attend to other matters pertaining to meeting procedures as directed by the President and attend to all Presidential correspondence of the Association. He shall oversee the Nominations and Ballot Committees and shall perform such other duties as may be assigned him by the President.

**Section 6. The Treasurer.** The Treasurer shall keep an accurate record of the receipts and disbursements authorized by the Board of Directors; shall prepare an Annual Budget; shall present a statement of account at every meeting of the Board of Directors; and shall have the account ready and available for inspection upon request of the Board. The books of the Association shall be inspected annually by a person(s) appointed by the Board of Directors.

**Section 7. The Technical Advisor.** The President, with approval of the Board of Directors, shall appoint a Technical Advisor. The Technical Advisor shall be appointed annually. The Technical Advisor shall act in an advisory capacity to the Association and to the Executive Board. He shall advise the Association in matters of correct procedures, rules and technicalities concerning the sport and shall concern himself with what is going on in the sport in other parts of the world. He shall guide the membership toward the goals and purposes of the Society. The Technical Advisor does not have a vote on either the Executive Board or the Board of Directors except as elected as a Director or Officer.

**Section 8.** The President, Executive Vice President, Treasurer and/or

## 2019 AVA CONSTITUTION & BYLAWS

---

National Office Manager shall have the authority to sign checks of the Association in amounts not to exceed the budgeted amounts approved by the Board of Directors.

**Section 9.** Any officer may resign by written resignation to take effect upon acceptance by the Board of Directors. The Board of Directors may remove, by not less than a majority of the full membership of the Board of Directors, any officer.

**Section 10.** Members shall, in case of absence at a meeting, wherever possible, communicate their positions in writing on the basis of the advanced agenda.

### **ARTICLE V — COMMITTEES** (see Standing Rules, Section III, Committees for more information)

**Section 1.** There shall be such standing and temporary committees as are deemed necessary to carry on the work of the Association.

**Section 2.** Standing committees must include:

- a. **Nominations Committee** - The Board of Directors shall appoint a Nominations Committee. The Nominations Committee Chairperson shall be the immediate Past President. If the immediate Past President is unable or unwilling to serve, the President shall appoint a chair. The Nominations Committee shall consist of members from at least three regions and will include two directors (but not the President) whose terms do not terminate in the current year, and two eligible Individual Members in good standing who are not directors. The Nominations Committee and the Nominations Committee Chairperson shall be ratified by the General Membership at the Annual Meeting.
- b. **Ballot Committee** - A Ballot Committee of three members plus two (2) alternates of eligible Individual Members who are not members of the Board of Directors or Nominations Committee shall be appointed by the President and approved by the Executive Board to count the ballots. No more than two (2) members of this committee (including alternates) may be members of the same Region and no two (2) members may be affiliated with the same Club. No one shall serve on the Ballot Committee for more than four (4) consecutive years.
- c. **Grievance Committee** - A Grievance Committee, composed of five (5) Individual Members, will be elected each year at the Annual Meeting of the Membership. No member of the Executive Board may serve on this Committee. Any given club may be represented by only one (1) member on this Committee. This Committee shall elect a chairman from its members.

**Section 3.** Temporary and Other Committees:

- a. All other committees shall be established by the President. All

committees are subject to the orders of the Board of Directors, and none of their acts shall conflict with actions taken by the Board of Directors.

- b. Committee Chairmen are appointed by and serve at the pleasure of the President, with the approval of the Executive Board.

## **ARTICLE VI — CONFLICT OF INTEREST AND DUALITY OF INTEREST**

**Section 1.** Generally. If any Officer, Director or member of any other committee has a financial interest in any contract or transaction involving the Association, such individual shall not participate in the evaluation or approval of such contract or transaction unless the material facts of the relationship or interest are disclosed or known to the other Officers, Directors, or other committee members, but he or she shall be counted in determining the quorum for the meeting relating to the matter. If such disclosure is made, the contracts or transaction shall not be voidable if the Officers, Directors, or committee members in good faith authorized the contracts or transaction by the affirmative vote of the majority of the disinterested Officers, Directors, or committee members and the contract or transaction is fair to the Association at the time it is authorized.

**Section 2.** Duality of Interest. Any duality of interest on the part of any Director shall be disclosed to the Board of Directors, and made a matter of record through an annual procedure and also when the interest becomes a matter of Board action. Any Director having a duality of interest shall not vote or use his or her personal influence on the matter, but he or she shall be counted in determining the quorum for the meeting relating to the matter for which the duality exists. The minutes of the meeting shall reflect that a disclosure was made, the Director abstained from voting, and a quorum was present with the inclusion of the affected Director. Any new Director will be advised of this policy upon entering the duties of his or her office.

**Section 3.** Conflict of Interest Policy. The Board of Directors shall adopt a Conflict of Interest Policy including minimizing conflict of interest situations regarding the selection of athletes, horses, coaches, trainers, managers, administrators, veterinarians, officials and others for competitions. All Officers, Board members, Committee members, staff, and other volunteers as determined by the Board of Directors shall be required to sign the policy before taking office or assuming their duties.

**ARTICLE VII — ELECTIONS AND VOTING** (Refer to Standing Rules: Section IV, Nominations and Elections for further election guidelines)

# 2019 AVA CONSTITUTION & BYLAWS

---

**Section 1.** Adult Members in good standing shall be entitled to one vote.

**Section 2.** Voting method for Directors, Officers and Regional Supervisors may be determined or changed by the Board of Directors at the Annual Meeting each year, provided that the method selected does not jeopardize voting anonymity, the ability for members to vote from their home, and provides a written record of results.

**Section 3.** Nomination of the Board of Directors, Officers and Regional Supervisors:

- a. At the appropriate time, the General Secretary shall notify the membership that nominations are open.
- b. The Nominations Committee shall present a sufficient number of Director and Officer nominees to meet the required number as determined by the Board of Directors. The Committee shall also present a slate of Regional Supervisor candidates in all eligible Regions for all odd-year elections. The Committee shall receive nominations from the membership and shall, when necessary, nominate individuals for office.
- c. The Nominations Committee Chairperson shall mail questionnaires to all nominated candidates to be returned to the Nominations Committee Chairperson in order to be eligible for election.
- d. In all cases, consent of the nominee must be obtained prior to election.

**Section 4.** Election Procedures:

- a. The National Office Manager shall prepare the ballot of Nominees as provided by the Nominations Committee. Mail ballots shall be affixed with the Corporate Seal. The National Office Manager shall distribute the ballot as provided for in the Standing Rules, Section IV. B.
- b. Returned ballots shall remain sealed until delivered to the Ballot Committee. The Committee shall, in the witness of each other, open and count the ballots. The result of their counting shall be the election results. The ballots shall then all be sealed into an envelope. The outside of the envelope shall carry the date and official results of the election, as well as the signatures of the Committee Members. The envelope shall be placed in a file with the National Office. Ballots may be destroyed after the first Annual Meeting of the Membership following the election.
- c. Any ballot received after the closing date shall be discarded.

**ARTICLE VIII — MEETINGS** (see Standing Rules, Section VI, Meetings for more information)

**Section 1.** There shall be one Annual Meeting of the Association in each year in

## 2019 AVA CONSTITUTION & BYLAWS

---

such month and on such day, time and place as the Executive Board may designate. The business at annual meetings shall include, at least, the Report of the Treasurer, Reports of the Board of Directors and of Committees, appointment of the Nominating Committee and appointment of the Grievance Committee.

**Section 2.** The President shall have the power to call a meeting of the Association at any time, and must call a meeting when requested in writing to do so by any eight (8) members of the Board of Directors or by two-thirds of the eligible Individual members of the Association. Written notice of such meeting must be given to all members at least three (3) weeks prior to the meeting.

### ARTICLE IX — NATIONAL OFFICE

**Section 1.** A National Office Manager shall maintain permanent files of the Association, prepare and mail the ballots for all official elections, attend to member and outside correspondence, maintain all membership and other records, pay bills, issue and co-sign checks, attend to bookkeeping tasks of the Association, be custodian of the Seal of the Association, and attend to any other administrative tasks as directed by the Board of Directors.

### ARTICLE X — SEAL

**Section 1.** The Seal of the Association shall be in the form of a circle and shall bear the name of the Association, the name of the State in which it was incorporated, the year of its incorporation and the words “Corporate Seal”

### ARTICLE XI — AMENDMENTS

**Section 1.** This Constitution and Bylaws may be added to, altered or amended by a favorable vote of not less than two-thirds of the responding eligible Individual Members at a General Meeting of the Association or by mail.

**Section 2.** At any meeting of the Board of Directors at which a quorum is present, or at a General Meeting of the Membership, the Standing Rules of the Association may be added to, suspended, modified or rescinded by a majority vote, only after prior written notice is provided by way of identification in the meeting agenda or a special notice to Board members at least three (3) weeks in advance. A majority vote by mail of the Board of Directors is acceptable.

### ARTICLE XII — DISSOLUTION

**Section 1.** If at any time the Association dissolves, any funds remaining in the treasury shall be distributed directly to the United States Pony Clubs, Inc.

### ARTICLE XIII — PARLIAMENTARY AUTHORITY

*Robert’s Rules of Order Revised* shall govern meetings of the Association when

# 2019 AVA CONSTITUTION & BYLAWS

---

not in conflict with these Bylaws. *Robert's Rules of Order Revised* may be used as a guide to conducting the business of the Association for situations that are not specifically addressed by the Bylaws and Standing Rules.

## STANDING RULES

The Standing Rules are the rules and standards for the conduct of the business of the Association. Standing Rules are approved by the Board of Directors. *Robert's Rules of Order Revised* shall be used as a guide to conducting the business of the Association for situations that are not specifically addressed by the Bylaws and Standing Rules.

### SECTION I - MEMBERSHIP

#### A. General Information

1. Yearly memberships are valid January 1 through December 31 of each year.
2. Memberships paid between September 1 and December 31 of any year are valid through December 31 of the following year. Voting privileges become effective January 1 of the membership year.
3. Memberships must be renewed by January 1 of each year in order to remain current.
4. In order for memberships to be valid, both fees and membership forms (with all required information) must be received by the National Office, electronically or by mail.
5. All fees must be paid in U.S. funds.
6. Any checks payable to the AVA or any agent acting on behalf of the AVA refused by the bank will be subject to a \$50.00 handling fee. In the event of two (2) consecutive refused checks, payment will be required by Certified Check or Money Order for a period of eighteen (18) months.
7. Any membership which has outstanding debts (including bad checks) to the AVA, any AVA official or the management of any AVA Recognized Competition or event will be notified in writing that they have twenty-one (21) days to clear all debts.
8. A membership will be declared "not in good standing" if the club or member fails to clear all debts within the allotted time or a club fails to submit the required Safety Report.
9. Memberships declared not in good standing will be notified in writing that they have been removed from the list of Registered Clubs or Members, as appropriate. In order to be reinstated as a Registered Club or Member in good standing all delinquencies must be cleared and a reinstatement fee of \$50.00 is required.



10. For an Individual Member to transfer membership from one club to another during a year in which dues are paid, a \$10.00 Membership Transfer Fee is required, accompanied by a completed official AVA Change Club Membership Form for each vaulter. Fee and form must be received by the National Office Manager or online before the transfer is valid.
11. Any individual who transfers Club membership after the close of entries of any AVA Recognized Competition in which he is already entered may not vault in any team event for his new club at that particular Recognized Competition(s).

### **B. AVA Membership Assessments and Benefits**

1. Club Memberships - Regular Clubs in good standing:
  - a. Regular Clubs must complete Club Registration each year. Regular Clubs shall pay an annual registration fee of \$65.00, if registration and payment is received or postmarked before January 1st. The registration fee for clubs registering on January 1st or later shall be \$75.00. Registrations will be returned if any information or fees are incorrect. Any number of individual vaulters may register with a club. Individual club members shall pay the appropriate dues as defined by their membership category. An Individual Member who vaults with a Club must be listed as a vaulter with that Club on his current membership form.
    - i. May compete in AVA Recognized competitions as a Club.
    - ii. Receive one subscription to *Equestrian Vaulting Magazine*.
    - iii. Receive one printed copy of the *AVA Rule Book*.
    - iv. Receive access to the online *AVA Rule Book* and *AVA Membership Directory*. May receive, after request and payment of a fee, a printed copy of the *AVA Directory* which will be limited to ancillary directory information and will not include specific membership contact information.
    - v. Have access to the AVA members-only section of the website.
    - vi. Receive *AVA Blasts*.
    - vii. Receive members-only pricing on all AVA publications and merchandise.
  - b. Affiliate Clubs must complete a Club Registration Form each year. Forms are available from the National Office Manager. Vaulters, coaches and longeurs need not be AVA members. Affiliate Clubs shall pay annual dues of \$35.00.
    - i. Receive one subscription of *Equestrian Vaulting Magazine*.
    - ii. May not compete at AVA Recognized competitions as a Team.
    - iii. May not take any Medal Exams.
    - iv. Individual Members of an Affiliate Club who are regular

## 2019 AVA STANDING RULES

---

- Individual Members may compete at AVA Recognized competitions and represent their Affiliate Club.
- v. Affiliate Club Members may earn the Horsemanship Badge.
  - vi. Have access to the AVA members-only section of the website, including the on-line *AVA Rule Book* and *AVA Membership Directory*.
  - vii. Receive *AVA Blasts*.
  - viii. Receive members-only pricing on all AVA publications and merchandise.
  - ix. An Affiliate Club Membership may be changed to a Regular Club Membership at any time by paying the difference between the Affiliate Membership fee and the Regular Club fee. One printed rule book will be included with the membership upgrade. All vaulters, coaches and longeurs must then become members of the AVA.
2. Individual Memberships:
- a. Must register via mail (using the official AVA Membership Form) or online. All required information and proper fees must be received for the membership to be valid.
  - b. May register as a member of a current Registered Club, or as Independent (having no Registered Club affiliation).
  - c. Fees for Individual Membership
    - i. Fees for annual Individual Memberships vary according to the age of the member on January 1 of the membership year.
    - ii. Lifetime Individual Membership may be purchased for a one-time fee, and confers the applicable age-associated benefits of Individual Membership upon the Life Member.
    - iii. Family Membership allows an annual registration of a group of Individual Members, as defined in Article I, Section 5, for a single annual fee.
    - iv. Current Fees:  
Individual, 18 years and older (“Adult member”): \$50 annually  
Individual, not yet 18 years (“Youth member”): \$50 annually  
Individual, not yet 7 years (“Tiny Tot member”): \$25 annually  
Life Membership: \$750  
Family Membership: \$125 annually
  - d. Benefits of Individual Membership
    - i. Individual membership benefits vary according to the age of the member on January 1 of the membership year, as indicated below.
    - ii. Individual Members in good standing shall be eligible to:
      - a. Compete in AVA Recognized competitions.
      - b. Take AVA Medal Tests.

- c. Receive a subscription to *Equestrian Vaulting Magazine*.
  - d. Receive access to the on-line *AVA Rule Book*.
    - i. Individual Members who are a judge, serve as an AVA Officer or member of the AVA Board of Directors shall receive one printed copy of the *AVA Rule Book*.
  - e. Receive access to the online *AVA Membership Directory*.
  - f. Access the AVA members-only section of the website.
  - g. Receive AVA Blasts.
  - h. Receive members-only pricing on all AVA publications and merchandise.
  - i. Vote in all AVA elections. (Adults only)
  - j. Serve as a member of the AVA Board of Directors (Adults only)
  - k. May hold Office. Serve as an AVA Officer (Adults only)
  - iii. Any Individual Member,
    - a. May receive, after request and payment of a fee, a printed copy of the *AVA Rule Book*
    - b. May receive, after request and payment of a fee, a printed copy of the *AVA Directory* which will be limited to ancillary directory information and will not include specific membership contact information.
3. The fee charged for each printed copy of the AVA Rule Book and/or limited AVA Directory will be established by the AVA National Office Manager in an amount not to exceed the cost of printing and mailing.

### SECTION II - VICE-PRESIDENTS

**A. Vice President Membership:** Shall represent and serve as liaison between Regional Supervisors and all categories of AVA membership and the AVA Board of Directors; shall identify and implement needed member services and strategies for recruitment and retention of members; shall assist members with resolution of problems; and shall be responsible for overseeing the planning of the Annual Membership Meeting.

**B. Vice President Competitions:** Shall be responsible for overall management of the National Championships, and work with AVA regions to encourage and facilitate vaulting competitions at all levels, coordinate policy and procedures for vaulting competitions, and serve as liaison regarding competition issues with the AVA Board of Directors. Shall oversee the National Championship Committee; sign contracts and arrange payments as necessary to guarantee site availability and competition services; develop and maintain a budget for the National Championships; and investigate sites for future National Championships. Shall develop materials for and provide assistance to new competition management. Shall act as a liaison between competition

## 2019 AVA STANDING RULES

---

management, the Comp Web developer, the HOTY Awards Department and USEF Competitions Department and USEF Vaulting Committees.

**C. Vice President Development:** Shall oversee activities of the Association involving Publicity, Promotions, Fund Development and Sponsorships; shall identify and distribute information for inclusion in non-AVA publications; shall arrange for AVA marketing events, demonstrations and trade shows featuring the AVA and its resources; shall authorize the distribution of press releases and photographs to local, state and national publications; shall work in connection with local and regional AVA officials to secure sponsors for the Association and events such as the National Championships and International Events; and shall oversee AVA coordinated demonstrations.

**D. Vice President Education:** Shall oversee the identification and targeting of the educational needs of the AVA's membership; shall develop and oversee educational committees created for specific educational publications, programs, events, or projects; shall facilitate the communication and dissemination of educational information to the membership.

**E. These officers** shall hold office during the ensuing two years, until their successors' term commences on January 1st of the year following the election. The Vice President Membership and Vice President Development shall be elected in even numbered years; the Vice President Competitions and Vice President Education shall be elected in odd numbered years.

### SECTION III - COMMITTEES — GENERAL RULES

**A.** Committee Chairmen shall manage their committee in accordance with the committee Charter that defines its duties, responsibilities, and scope of authority. Committee chairs shall prepare annual goals and priorities for approval by the Executive Board.

**B.** Committee Chairmen shall submit an end-of-the-year report in December to the General Secretary for the Board of Directors.

**C.** Committee Chairmen shall submit a budget request form for the upcoming year to the Treasurer in March/April.

**D.** Committee Chairmen shall submit at least one Committee Report per year to *Equestrian Vaulting Magazine*.

**E** Expenditures for special projects, which have not been previously budgeted for nor approved by the Board, must be approved by the Executive Board.

**F.** Only Committee Chairmen may submit requests for reimbursement. All requests must be itemized on the appropriate reimbursement form and accompanied by receipts.

**G.** Nothing may be sent out as an AVA publication, survey, statistical poll,

questionnaire, pamphlet, manual or book without prior approval of the Executive Board.

### SECTION IV - NOMINATIONS AND ELECTIONS

#### A. Nominations

1. The Nominations Committee shall solicit nominations from each Region through the Regional Supervisors for the Executive Board and the Board of Directors, not necessarily from their particular Region. The slate of nominees for each Officer position and each Director position will be accepted by the Nominations Committee, as well as any nominations from the Membership at large.
2. The General Secretary shall issue a call for nominations to the general membership by placing a notice through any membership-wide official communications of the Association, such as *Equestrian Vaulting Magazine* and AVA Blasts, no later than July 31 of each year.
3. Nominations shall close August 31.
4. Nominee acceptance of nomination and questionnaires shall be returned to the Nominations Committee Chairperson by September 30. Nominees who fail to return the acceptance notice shall not be included on the ballot.

#### B. Elections

1. The default method shall be by electronic votes submitted through an on-line election using a web interface with a mail ballot option. Members must submit their election for a paper ballot to the National Office as part of their member profile during registration. If a member wishes to change their ballot option, requests to change the member profile relating to ballot option must be submitted no later than 90 days prior to the closing date for voting.
2. The National Office Manager shall send a notice containing voting instructions, registration code and commencement date of the election, to all Individual Members, no later than October 15, and the closing date for voting through an electronic ballot shall be on or before November 5. Notice shall be sent by e-mail to the e-mail address of record with the AVA National Office.
3. Ballots for Individual Members who elect to submit their Ballot via the mail, shall be mailed by the National Office no later than October 15. A return envelope shall be provided with each ballot and any ballots not returned in said envelope shall be declared void. Ballots must be received by the National Office on or before November 5.
4. Ballots shall be counted on or before November 19. The results shall be reported to the General Secretary within 24 hours of counting.
5. The General Secretary shall announce the election results in written

## **2019 AVA STANDING RULES**

---

form to all Board Members, candidates and the Membership on or before November 26.

### **SECTION V - REGIONS**

**A.** The Vice President Membership shall oversee AVA Regions, Regional Supervisors and Regional Resource Persons.

**B.** An Individual Member's Region shall be determined by the Region of the Club with which they are registered. An Individual Member who is registered as an Independent will be a member of the Region in which they reside.

**C.** In order to apply to become an AVA Region, an area must have a minimum of three (3) Registered Clubs and nine (9) Individual Adult Members for a period of two (2) consecutive years.

**D.** Region Application Forms are available through the Vice President Membership. Completed forms must be submitted to the Vice President Membership for approval by the Executive Board and the Board of Directors.

**E.** Regions may be registered as subordinate organizations under the Associations 501 c 3 status with the Internal Revenue Service by completing the appropriate paperwork with the AVA National Office.

**F.** Once regional status is approved, a Regional Supervisor shall be appointed for the new Region by the AVA President, with the approval of the Board of Directors.

**G.** The appointed Regional Supervisor becomes an ex-officio member of the Board of Directors.

**H.** After one (1) year of existence as an AVA Region, and once there are fifteen (15) Individual Adult Members and three (3) Registered Clubs in the AVA Region, the position of Regional Supervisor becomes an elected office of two (2) years. This election shall take place at the next scheduled election of Regional Supervisors. This position is to be nominated and voted on by all eligible Individual Adult Members in the given Region.

**I.** The newly elected Regional Supervisor then becomes an ex-officio member of the Board of Directors in place of the previously appointed Regional Supervisor.

**J.** The Regional Supervisor's responsibilities are to function as a liaison between the AVA and his Region, to interpret AVA standards, and to support area growth. He is required to report any changes in administrative structure of the Region to the Vice President Membership.

**K.** The internal structure of each Region (administrative, financial, competitions, etc.) shall be determined by the particular needs of that Region in accordance with existing AVA standards.

- L.** If an approved Region's AVA membership drops below three (3) Registered Clubs AND fifteen (15) Individual Adult Members for more than two (2) years, the Region loses its right to an elected Regional Supervisor, and the AVA President shall again appoint a Regional Supervisor.
- M.** If an approved Region's AVA membership drops below three (3) Registered Clubs for more than two (2) years, the Clubs in that Region shall be returned to the General Club status.
- N.** If an approved Region's AVA Individual Adult Membership level drops below nine (9) Individual Adult Members for more than two (2) years, the Region's Individual Members shall be returned to General Membership status.
- O.** The AVA assumes no financial responsibility for Regions.
- P.** The responsibility of organizing and selecting Resource People will fall under the jurisdiction of the Vice President Membership.
- Q.** All Regional Supervisors are required to attend at least one AVA Board of Directors Meeting, preferably the AVA Annual Meeting, per calendar year. Failure to fulfill this obligation will result in appointment of a new Regional Supervisor by the AVA Executive Board with approval of the AVA Board of Directors for the duration of the unexpired terms.

### SECTION VI - MEETINGS

- A.** Any duly called meeting of the Board of Directors or the Executive Board, regardless of format (including teleconferencing and other technology based business communications), and attended by the required quorum shall be an official meeting of the body. All actions taken shall be considered official actions and all requirements for meetings as further defined in this section shall be met.
- B. Open Meetings**
1. All Board of Director and Executive Board meetings shall be open. Open meetings are defined as the opportunity for non-Board or Executive Board members to attend and observe the meeting. Participation in the meeting is at the discretion of the President.
  2. Meeting dates, times, and locations of regularly scheduled meetings shall be published in *Equestrian Vaulting Magazine*, AVA Blasts, and on the AVA website at the earliest possible opportunity, but not later than 14 days in advance of the meeting. In addition, meeting notices shall be included in all AVA Blasts. For telephone conference calls and/or electronic meetings, the location information will be replaced by the means in which non-board or Executive Board members may call or sign-in as an attendee.
  3. The Board of Directors and Executive Board may hold emergency

## **2019 AVA STANDING RULES**

---

meetings without the 14 day notice provided that:

- a) A majority of the Board or Executive Board members certify by majority vote that the meeting was an emergency.
- b) Information regarding the date, time, and location is posted on the AVA website at the earliest possible time before the meeting takes place.
- c) A summary of the meeting is posted on the AVA website within one week of the meeting.

**C.** The Board of Directors and Executive Board may hold closed sessions for the purpose of discussing legal issues, contract negotiations, Board Member and Committee Member performance matters. The Executive Board shall conduct contract negotiations for the National Office Manager in closed session. The Board of Directors and Executive Board shall confirm that only matters permitted to be discussed in Closed Session were discussed immediately upon return to open session.

**D.** The Annual Meeting of the Membership and Board of Directors shall be held on the first full weekend of March unless ordered otherwise by the Board of Directors.

**E.** The Board of Directors shall also hold a conference call each year during the last weekend of January, and hold regular board meetings at the National Championships and during the second weekend in November.

**F.** A summary of each Board of Director and Executive Board meetings shall be posted on the AVA website within 14 days of the meeting; draft minutes of each meeting with a disclaimer that the minutes are draft minutes, subject to amendment and approval at the next Board of Director or Executive Board meeting, will be posted on the AVA website with 30 days of each meeting. Upon approval, the final, approved minutes of all meetings shall be posted on the AVA website to replace draft minutes.

### **SECTION VII - NATIONAL CHAMPIONSHIPS**

**A.** The National Championships shall be held at a time and location approved by the Board of Directors at an Annual Meeting of the Membership at least one year prior to the year of the Championships.

**B.** Vaulting Class lists at the National Championships shall be approved by the Technical Committee.

**C.** Judges for the National Championships shall be appointed and scheduled by the Technical Committee.

**D.** It is the responsibility of the Vice President Competitions to guarantee that all competing Club, Vaulters, Coach and Longeur registrations are current



and to notify any of the above of any discrepancy prior to the start of the AVA National Championships.

### SECTION VIII - RECOGNIZED COMPETITIONS

#### A. Recognition

There are two (2) categories of AVA Recognized Competitions, as follows:

**Level I - Open.** Any and all events, including team, individual, Pas de Deux and barrel are allowed.

**Level II - Limited.** Any and all individual events are allowed. Team Compulsories are allowed. No Team Freestyle and no Pas de Deux on the horse are allowed. All barrel classes are allowed.

1. Application to hold a Recognized Competition must be received by the National Office Manager, using the Application For AVA Recognized Competition form, and emailed, faxed or postmarked at least forty-five (45) days before the date of the Competition. If the application is not submitted by the deadline, the Executive Board may authorize the National Office Manager to accept the late application with a late fee of \$250.00 in addition to the application fee. No applications will be accepted fewer than thirty (30) days before the date of the Competition.
2. Application must be signed by the Competition Manager (who must be an active member of the AVA in good standing). By signing the application form, the manager confirms that he or the sponsoring organization is financially responsible for the competition, insuring that the competition is conducted in accordance with all AVA rules, regulations, and procedures, and will hold the AVA harmless in all respects.
3. Application must contain the following:
  - a. Date
  - b. Place
  - c. Events, divisions and classes offered
  - d. Name and address of secretary or manager
  - e. Entry closing date (must be a minimum of two (2) weeks before competition date)
  - f. Description of facilities, including dimensions of arena and height, if indoor or covered
  - g. Judge(s)
4. Payment by check or credit card of \$40.00 must accompany the application. The payment will be refunded if the date is not available or the Competition cannot be recognized.
5. Recognition may be granted to any Competition offering at least one (1) Recognized National Event. (See AVA Rules, Article 102.3

## 2019 AVA STANDING RULES

---

- and 4) However, all Recognized National Event classes, if offered, must be run according to current AVA Rules.
6. The National Office Manager will notify both the show secretary and the AVA Competition Secretary, in writing of approval for recognition. The AVA Competition Secretary will provide the necessary score sheet masters and other pertinent paperwork for Recognized Competitions to the show secretary identified on the Application for Recognition. The National Office Manager will provide a list of current AVA members as of the closing date of entries to the show secretary.
  7. No more than one (1) Recognized Competition may be held on the same day within a three hundred (300) mile radius. Preference for dates will be given to the team whose application is received first. The competition with priority may agree to allow another competition within three hundred (300) miles.
  8. A copy of the prize list of a Recognized Competition must be sent to the AVA Competition Secretary, the Technical Committee Chairman, the Judges, and all Registered Clubs in the region at least thirty (30) days prior to the competition, otherwise, recognition will be rescinded. CompWeb notification of the Prize List meets the prize list distribution requirement, except that the AVA Competition Secretary must be mailed a paper copy of the Prize List, postmarked thirty (30) days prior to the competition. If the paper copy is not postmarked on time, a late fee of \$50 must be paid to AVA and the paper Prize List must be received by the Competition Secretary no less than two (2) weeks before the first day of competition, otherwise, recognition will be rescinded.
  9. The prize list must contain the following:
    - a. Date, time and place of competition
    - b. Fees
    - c. Entry closing date
    - d. Judge(s)
    - e. Availability of stabling, housing and eating facilities
    - f. Events, divisions and classes offered
    - g. Names of classes or divisions which are recognized
    - h. Description of footing and dimensions of arena, including height of ceiling, if applicable
    - i. Time and place of draw
    - j. Music must be provided by the competitor, according to the equipment available.
    - k. All unrecognized classes must have specific deductions listed
  10. Judges must be chosen from the current list of Recognized Judges in good standing. Foreign Judges may be granted a guest card by

the Technical Committee to judge a specific competition.

11. An AVA Judging Contract form and current list of active Judges are available from the National Office Manager or on the AVA website.
12. The Technical Committee shall approve the class list/entry for National Competitions.

### **B. Insurance**

1. A recognized competition must obtain insurance naming the AVA as additional insured for each day of the competition, including set-up and take-down days, with minimum limits of \$2,000,000 third party general liability insurance and \$50,000 on equipment and property.
2. A certificate of insurance for each competition must be received by the National Office at least fourteen (14) calendar days prior to the competition, by mail with proof of delivery or submitted electronically via e-mail or via fax. Competitions faxing their certificate of insurance must retain a copy of the fax confirmation. Failure to provide certificate of insurance fourteen (14) days prior to the event will result in forced placement of insurance with a provider of AVA's choice for a fee which shall cover the cost of the insurance for each competition day, plus a \$100 administrative fee. This fee will be assessed to the Competition Manager listed on the recognition application form, and must be paid within ten (10) days of the close of the recognized competition or the manager will not be in good standing with the AVA and an additional \$50 late fee will be assessed.

### **C. Entries**

1.
  - a. For Recognized Competitions, entries (clubs, coaches, longeurs and vaulters) must be Registered Clubs and Individuals of the AVA in good standing as of the close of entries, or must pay a non-member fee. (See Section VIII.C.2). This rule does not apply to foreign teams or individuals.
  - b. If an individual's name is not included on the list of active members provided by the National Office to Competition Management as of the close of entries for a competition, the individual must pay the non-refundable, non-member fee.
2. Non-Member Fee - Individuals, including vaulters, coaches and longeurs, who are not current AVA members as of the close of entries must pay a non-member fee in order to participate in an AVA Recognized Competition. A non-member fee allows the individual to participate in said AVA Recognized Competition and to receive ribbons and placings. However, as the individual was not an AVA member as of the close of entries for the competition, their scores may not be used for any Year-End awards. (See Section VIII.C.1.b)

## 2019 AVA STANDING RULES

---

3. At National Championships, foreign individual and teams are allowed to compete but are ineligible for National Championship titles. They may compete for scores and may be awarded ribbons and placings.
4. At National Championships, a team may have up to two (2) foreign vaulters as members and be eligible for awards provided that each of the foreign competitors has complied with United States Equestrian Federation (USEF) membership requirements. Foreign competitors and longeurs who desire to compete in National Championships must have proof, in English, of membership in good standing from their National Federation or must be members in good standing of the American Vaulting Association and the USEF. These documents must be made available to Competition Management prior to the start of the first day of competition for any USEF competition.
5. Post entries will not be accepted for AVA Recognized Competitions. Post entry is defined as an entry received by Competition Management postmarked (or otherwise delivered) after the close of entries. Close of entries must be a minimum of two (2) weeks prior to the competition date. Allowing additions, deletions, and changes of classes by competitors already entered in a Recognized Competition is left strictly up to the Competition Management and must be published in their entries.
6. If only one (1) Registered B or C Team enters a division, that team has the option to compete at the next higher (not lower) division. The team's coach must initial the division change on the score sheet. Scores can count toward Annual Awards in the division originally entered. Management must indicate on the score sheet in which division the score is to count.
7. For all Recognized Competitions, a \$7.00 surcharge per vaulter, including foreign vaulters, will be assessed by and paid to the AVA.
8. Composite teams
  - a. Composite Teams made up of Registered Vaulters from two (2) or more Clubs and/or Independents may be permitted to enter a Recognized Event.
  - b. In order to compete in a Recognized Event, Composite Teams must be recorded on an AVA Composite Team form. This form must be submitted to Competition Management within a timeframe specified by Competition Management, as published in the prize list. This completed form must be sent to the AVA Competition Secretary, along with all other post-competition paperwork. (See Section VIII.C.9)
  - c. The AVA Composite Team form shall list the Clubs, Independent

- and/or foreign competitors participating in the Composite Team. Any registered vaulter may be part of the Composite Team, subject to the rules governing the event.
- d. Regardless of the timeframe specified by Competition Management, the Ground Jury of a competition may allow an emergency Composite Team during the competition.
  - e. All vaulters and substitutes on a Team competing in a Recognized Event must be members of a single Club, or the team must enter as a Composite Team. Otherwise, the team will be an illegal Composite Team, subject to elimination.
9. Following the close of a Recognized Competition, Management must send to the AVA Competition Secretary:
- a. A Competitor List including all participating vaulters, coaches and longeurs, showing AVA Membership numbers, sorted alphabetically within Clubs, and clearly indicating all foreign competitors.
  - b. Original score sheets for all Recognized Classes.
  - c. Any Composite Team forms submitted.
  - d. Any Non-Member Forms submitted. (See Section VIII.C.2)
  - e. All competition and non-member fees due to the AVA, including vaulter surcharge fees;
  - f. A hard copy of the competition results, vaulter names, AVA numbers, scores and placings for all classes;
  - g. A list of all horses, and their AVA number if they have one.
- This packet, including all documents, must be postmarked or otherwise delivered, within ten (10) days of the close of a Recognized Competition, or a late charge of \$50 will be assessed.
10. The AVA Competition Secretary will notify the Show Secretary (Management) within six (6) days of receipt of the above materials, of any errors and/or omissions regarding the submittals. Competition Management shall have seven (7) days from the date of the notification to correct the errors. In the event the proper paperwork and fees are not sent to the AVA Competition Secretary as of that date, a \$100 fine shall be assessed to the Show Secretary (Management).

### **D. Facilities**

1. Footing in the vaulting arena should be level, soft and springy — neither slick nor too deep. Shavings, sand or a mixture of shavings and sand is suitable.
2. The arena should be groomed and maintained during the competition. The Judge(s) may request that the ring be groomed at any time.
3. Regulation Barrel must meet height and handle specifications as indicated (See “Barrel Specifications” at the back of this book).

## 2019 AVA STANDING RULES

---

4. Footing in the barrel arena must be suitable for vaulting. The top of the barrel must measure 48” from the ground. If extra footing is placed around the barrel, the top of the barrel must still measure 48” from the top of the extra footing.

### E. Scoring

1. The Score Sheet
  - a. AVA Score Sheets must be used.
  - b. Score Sheet masters will be provided by the Competition Secretary
  - c. Score Sheets must contain the following information:
    - 1) Name of team or individual vaulter(s)
    - 2) Division entered
    - 3) Name of each team vaulter
    - 4) Final score and final placing
    - 5) Name of longeur and horse
    - 6) Signature of Judge
    - 7) Name and date of competition

### F. Format

1. Recognized Competitions must be held according to AVA Rules for Vaulting. All Recognized National Event classes, if offered, must be held according to AVA Rules for Vaulting. Any and all unrecognized classes if offered **during** recognized competition hours, must follow AVA Rules for vaulting, Article 103.1, Article 104, Article 105, Article 106, Article 109, Article 110.9 (for any barrel classes), and Article 111.9. NOTE: Costume classes must be held outside of Recognized Competition hours.
2. Order of go.
  - a. In Team Competition, order of go must reflect a complete level. All Trot teams go together; all C teams go together; all B teams go together; all A teams go together.
  - b. In individual classes, order of go must reflect a complete level. All Trot go together; all Copper/Unrated go together; all Bronze go together; all Silver go together; all Gold go together, all Individual 3\* go together.
  - c. In 2-Phase Team, order of go for each phase must be different and shall reflect a complete level in Team Event as stated above.
  - d. In the event the same horse goes twice in a section, the times for the horse to go may be scheduled as far apart as possible.
3. A veterinarian must be on call for all Recognized Competitions. Phone number must be conspicuously posted in stable area and show office and readily available by management.
4. An emergency medical service must be on call for all Recognized

- Competitions. Phone number and directions to the nearest hospital must be conspicuously posted in stable area and show office and readily available by management.
5. A score board must be conspicuously placed, and scores kept posted as currently as possible. Score sheets may be examined only by the office management and Judges until they are officially posted.
  6. Score sheets must be made available to the coach at close of competition.
  7. Protocol
    - a. All longeurs and vaulters must be properly turned out.
    - b. Horse's mane must be braided or roached.
  8. If an infraction of the rules is discovered within fifteen (15) days of the close of the competition, it shall result in immediate notification by Show Management to the coach. Appropriate action shall be taken by the Show Management in consultation with the Chief Judge. The Club or Individual involved will have fifteen (15) days from the date of the notification to appeal the action, and the AVA will have fifteen (15) days from the date of receipt of the appeal to respond to the appeal.

**SECTION IX - MEDAL EXAMINATIONS** (See also AVA Rules for Vaulting, Chapter IV) Medal tests are available for the following individual levels: Trot, Bronze, Silver and Gold. Novice pins are available at walk, trot and canter. (Novice canter pin is the Copper award, there is no medal for Individual 3\*.)

**A. Fees**

1. Fees for Trot, Bronze, Silver and Gold are \$25.00 per Vaulters per Exam. Fees for Novice are \$15.00 per Vaulters per Exam.
2. If Application is received less than thirty (30) days prior to date requested for Exam, an additional \$10.00 late fee will be applied to the basic Medal exam fee for each Exam and must be included in the check or money order. The late fee shall be waived for retakes within forty-eight (48) hours.
3. All fees must be in U.S. funds.
4. An application received less than twenty (20) days prior to the date requested for the Exam may be impossible to process.
5. All expenses of the Examiner (travel, food, lodging, etc.) are the responsibility of the management of the Exam. In addition, a fee of \$50.00 is a standard minimum for an Examiner. Expenses should be discussed before the Exam.
6. An AVA Judging Contract is available on the AVA website or from the National Office Manager.
7. Individual fees may be transferred to another vaulter in the same

## 2019 AVA STANDING RULES

---

Club for an Exam on the same day only. However, individual fees will not be refunded or credited to a later exam.

8. In the event an entire Exam is canceled, fees will be refunded.

### B. Procedures

1. Application Forms
  - a. Application Forms must be submitted to the Medal Test Secretary. Application Forms are available from the Medal Test Secretary for Registered Clubs, Individual Members or Affiliate Groups in good standing.
  - b. Forms must be completed correctly, typed or clearly printed.
  - c. All incomplete or incorrect forms will be returned. Late fees will apply where applicable.
    - 1) All applications must be accompanied by a check or money order for the full amount, including any late fees, made payable to the AVA.
    - 2) All vaulters on the application must be current AVA members at the time the application is sent to the Medal Test Secretary.
    - 3) A list of all bronze, silver and gold freestyle exercises must accompany the application for approval by the Medal Test Secretary.
  - d. Applications not accompanied by a check or accompanied by a check incorrectly made out will be returned.
  - e. Applications not accompanied by the list of bronze, silver and/or gold freestyle exercises will be returned. Late fees will apply where applicable.
  - f. Applications must be on the official form. Applications by telephone, fax or personal note will not be accepted.
2. The Medal Test Secretary will do the following:
  - a. Send score sheets, medals and ribbons to the Registered Club, Individual Member or Affiliate Group requesting them.
  - b. Send a list of paid candidates to the Club, Individual Member or Affiliate Group to be given to the Examiner prior to the start of the Exam.
  - c. Send list of approved Freestyle exercises for bronze, silver and/or gold exams to be given to the Examiner prior to the start of the Exam.

**Note:** No medal test materials will be sent if the application and enclosures are incomplete in any way. (See Section IX.B.c above)
3. Any substitutions or additions to the official list of candidates must be given to the Examiner prior to the start of the Exam. Proof of AVA membership must be shown and all fees, including late charges, must be paid to the Examiner for any additional vaulters



before the start of the exam.

4. No vaulter will be tested who has not paid all his fees.
5. The completed and signed score sheets and any additional fees must be returned by the Examiner to the Medal Test Secretary within one (1) week after the Exam.
6. All unused ribbons and medals must be returned by the Club's manager or coach to the Medal Test Secretary within two (2) weeks after the Exam.
7. A \$100.00 fine will be imposed if unused ribbons and medals are not returned within the allotted time.
8. A \$50.00 fine will be assessed to the judge and/or club for improper procedure reported by the Medal Test Secretary to the Executive Board.

### **C. Examiners**

1. See AVA Rules for Vaulting, Chapter V - JUDGES.
2. Clubs should choose their own Examiner but may not engage the same Examiner for two (2) consecutive Exams. Contact the Medal Test Secretary if help is needed in finding an Examiner.

### **D. General Information**

1. See AVA Rules for Vaulting, Chapter IV - MEDALS.
2. The score sheets must be filled out completely and indicate clearly how, and in what order, the Freestyle exercises are to be performed.
3. Medals to the left shall have different colored ribbons designating Commended or With Honors.
4. Medals to the right shall have a bar attached to the ribbon designating Commended or With Honors. Said bars shall be sent to the team after the results are submitted to the Medal Test Secretary.

### **E. Protocol**

1. Management should provide a suitable place for each Examiner to sit, protected from sun, wind, dust, etc., including chairs for each Examiner and Clerk, table, score sheets, sharp pencils with erasers, a bell, and a calculator. The Clerk or scorekeeper should tally the results as soon as the Examiner releases them. Results should be announced as soon as possible with the Examiner's approval.
2. Horses, longeurs and vaulters should be smartly turned out.
3. Horse's mane must be braided or roached.
4. The vaulting arena must be groomed.
5. A team must salute the Examiner upon entering and exiting the arena.
6. The Examiner may give a critique at the end of the Exam.

**SECTION X - JUDGES PROGRAM** (See also AVA Rules for Vaulting, Chapter V - JUDGES)

## **2019 AVA STANDING RULES**

---

### **A. Fees**

1. A \$50.00 fee is required on promotion to Registered Judge “R”.
2. A \$50.00 fee is required on promotion to Recorded Judge “r”.

### **B. Apprentice Program Application**

1. Application forms for the program are available upon request from the Chairman of the Technical Committee.
2. Applicants must complete the application form and return it to the Chairman of the Technical Committee along with the appropriate non-refundable application fee.

### **C. Procedure**

1. Apprentice applications will be accepted at anytime during the calendar year.
2. Applications received between January 1 and September 30 must be accompanied by a non-refundable \$300 application fee. The applicant will have until December 31 to fulfill all requirements for entry into the program. (see Article 506 Apprentice Program).
3. Applications received between October 1 and December 31 must be accompanied by a non-refundable \$50 application fee. All requirements for entry into the program must have been completed prior to applying. (see Article 506 Apprentice Program).
4. Any number of applicants may be accepted in any one (1) year.
5. The screening and selection panel appointed by the Technical Committee will review applications and questionnaires after December 31.
6. Applicants will be notified of the decision of the screening panel by March 1. Applicants must then pass a written exam before acceptance into the program. Applicants who are not accepted into the program may reapply the following year.
7. A non-refundable fee of \$50.00 will be required from the applicants accepted into the Apprentice Judge’s Program.

## **SECTION XI - PROTESTS & GRIEVANCES** (See AVA Rules for Vaulting, Chapter VI, Protests and Grievances for further information)

### **A. Fees**

1. Protests must be submitted with a filing fee of \$50.00
2. Grievances must be submitted with a filing fee of \$50.00

# AVA RULES FOR VAULTING

Rules for Vaulting are the rules for the performance of the sport of vaulting. Rules for Vaulting are developed by the Technical Committee and presented to the Board of Directors for consideration and, upon concurrence, adoption.

## CHAPTER I. GENERAL

### Article 101. Introduction.

1. Vaulting is the art of gymnastics/dance on the moving horse. The competition is judged on the smooth and correct execution of the compulsory exercises, freestyle programs and technical tests by the vaulters in sympathy and harmony with the horse working on the lunge line.
2. For a description of the compulsory exercises consult Appendix D of this Rule Book and/or the current FEI Guidelines for Judges. For an explanation of the degree of difficulty of freestyle exercises, consult the current FEI Code of Points.

### Article 102. Recognition.

1. All AVA Recognized Competitions must have completed procedures for recognition as per Standing Rules. (See Standing Rules, Section VIII – Recognized Competitions).
2. All AVA Recognized Competitions must be held according to current AVA rules. If a competition is USEF and AVA recognized, USEF rules shall take precedence.
3. Recognition may be granted to any competition offering at least one (1) AVA Recognized National Event. All Recognized National Events must be held according to current AVA rules.
4. Recognized National Events:
  - a) Team A, B or C (Canter) or Trot
  - b) Individual 3\*, Gold, Silver, Bronze or Copper (Canter)
  - c) Individual Trot
  - d) Pas de Deux
  - e) Team Two-Phase
5. See Chapter II for description of Recognized National Events and their format.

### Article 103. Eligibility.

1. All clubs, vaulters, coaches and longeurs must be registered members of the AVA in good standing in order to compete in an AVA Recognized Competition. For purposes of competition, a member in good standing is one:
  - a) Who has paid his current AVA dues
  - b) Who has paid the club registration fee
  - c) Who meets eligibility requirements per AVA By-laws and Standing Rules

## 2019 AVA RULES FOR VAULTING

---

- d) Who has no outstanding debts to the AVA, an examiner, judge or competition
2. To compete in Individual 3\* Event, the individual:
  - a) Must be sixteen (16) years of age and above. Age is determined from the beginning of the calendar year in which an athlete reaches the age of sixteen (16).
  - b) Must have qualified by earning a score of 7.0 or above in Compulsories at any USEF or AVA Recognized Competition in the Individual Silver, Gold or Junior (USEF) Event. This qualifying score must have been earned from two (2) separate AVA "I" or "R" judges. The qualifying score may be earned at the same competition or at separate competitions. Exception: A vaulter who is already qualified to compete at CVI3\* Individual Event per FEI requirements.
  - c) May not change horses nor longeurs between sections in this Event.
3. At National Championships, foreign individual competitors are allowed to compete but are ineligible for National Championship titles.
  - a) A foreign individual competitor may compete for scores and may be awarded ribbons and placings (See Standing Rules, Section VIII. C.3 and 4).
  - b) A team may have up to two (2) foreign vaulters as members and be eligible for awards provided that each of the foreign competitors has complied with United States Equestrian Federation (USEF) membership requirements. Foreign competitors and longeurs who desire to compete in National Championships must have proof, in English, of membership in good standing from their National Federation or must be members in good standing of the American Vaulting Association and the United States Equestrian Federation. These documents must be made available to Competition Management prior to the start of the first day of competition for any USEF competition. (See Standing Rules, Section VIII.C.4.)
  - c) A team with more than two (2) foreign vaulters as members, whether or not they have met the above requirements, or a team with any number of foreign vaulters who have not met the above requirements may compete for scores only. (See Article 103.3.b.)

### **Article 104. Competitors.**

1. A vaulter may enter the same event only once at any competition.
2. There are no age limits for Recognized National Events, with the exception of Individual 3\*.
3. A vaulter's team classification for Recognized National Events is determined as of the closing date of entries of the competition.
4. A vaulter's individual classification for Recognized National Events is

## 2019 AVA RULES FOR VAULTING

---

as of the closing date of entries of the competition.

5. Vaulters who hold a canter medal may vault in a higher division than their medal level in individual competition in Recognized National Events.

### **Article 105. Horses.**

1. Vaulting horses must be at least six (6) years old, of any breed or suitable size.
2. Stallions are prohibited.

### **Article 106. Horse Use.**

1. Canter: Horses may be used for a maximum of 32 units each day.
  - a) Team Canter Event – 6 member team:
    - 1 Team Compulsories = 8 units
    - 1 Team Freestyle = 8 units
  - b) Individual Canter Event:
    - 1 Compulsories = 1 unit
    - 1 Freestyle = 1 unit
    - 1 Technical Test = 1 unit
  - c) Pas de Deux Events:
    - 1 Freestyle = 2 units
  - d) Team Two-Phase Event:
    - 1 Team Compulsories = 5 units
2. Trot: Horses may be used for a maximum of 48 units each day.
  - a) Team Trot Event (6 member team):
    - 1 Team Compulsories = 8 units
    - 1 Team Freestyle = 8 units
  - b) Individual Trot Event:
    - 1 Compulsories = 1 unit
    - 1 Freestyle = 1 unit
  - c) Pas de Deux Events:
    - 1 Freestyle = 2 units
  - d) Team Two-Phase Event:
    - 1 Team Compulsories = 5 units

Exception: If a horse is used at BOTH trot and canter on the same day, a maximum of 32 units is allowed.

3. In all Recognized National Events, with the exception of Individual 3\* Event, horses may be changed between sections of the event.
4. After the maximum number of units allowed, additional vaulters will be disqualified. The club which entered the horse in violation will be fined \$50.00 per violation.
5. Competitors may start on their own horse or another horse that is loaned to them.
6. Horses may be substituted until one (1) hour before the start of the competition, or until a time specified by the management.
7. All competition at the canter must be performed on the correct lead, not

## 2019 AVA RULES FOR VAULTING

---

in counter canter.

8. Before beginning the performance, the horse must be trotted on the circle until the judge rings the bell to proceed.
9. Judging of the General Impression begins with entry into the ring and ends with the exit from the ring. Judging of the horse begins when the vaulter(s) touches the grips or the horse and ends when the vaulter(s) touches the ground in the final dismount, or at the end of the time limit.

### **Article 107. Inspection of Horses.**

1. At National Championships, before the start of competition, there will be a vet check. The veterinarian, accompanied by at least one (1) member of the Ground Jury, preferably the President of the Ground Jury, will inspect the horses. (See Article 114.2 for definition of Ground Jury).
  - a) The horses will be presented in hand in a bridle with an easily visible number on the right side of the bridle. The veterinarian has the right to eliminate a horse for being lame or in bad condition. In case of disagreement, the member of the Ground Jury will make the final decision, which will be announced immediately.
  - b) There may be no objection against the decision of the Ground Jury. A reason for elimination must be given.
2. In addition, the Chief Judge in each arena has the authority at any time during a competition to eliminate a horse which is uneven and/or un-level, in bad condition, or which shows signs of discomfort or fatigue.

### **Article 108. Substitution.**

1. Recognized National Team Event:
  - a) One (1) substitute is allowed. In order for a substitute to vault, he must enter the ring with the team as its seventh member at the start of Compulsories. The substitute must be a member of that club.
  - b) The substitute vaults in the seventh position.
  - c) A vaulter may not be entered as the substitute in more than one (1) division of Team Canter Event.
  - d) Using a substitute other than is stated is illegal and results in elimination.
2. Team 2-Phase Event:
  - a) One (1) substitute is allowed. In order for a substitute to vault, he must enter the ring with the team as its fifth member at the start of Compulsories. The substitute must be a member of that club.
  - b) The substitute vaults in the fifth position.
  - c) A vaulter may not be entered as the substitute in more than one (1) division of Team Two-Phase Event.
  - d) Using a substitute other than is stated is illegal and results in elimination.
3. Individual Event, Pas de Deux Event: No substitution is allowed in Individual or Pas de Deux Events.
4. Longeurs:

## 2019 AVA RULES FOR VAULTING

---

- a) Recognized National Events: Substitution is permitted between sections in all events, with the exception of Individual 3\* Event.
5. Horses:
  - a) Recognized National Events: Substitution is permitted between sections in all events, with the exception of Individual 3\* Event.
6. Equipment: Substitution is permitted between sections in all events.

### Article 109. Equipment.

1. Required:
  - a) Bridle with smooth snaffle bit, with no more than two (2) joints or lungeing cavesson with or without bit.
    - Rubber bit guards are permitted.
  - b) Two (2) side reins with or without rubber rings
    - Side reins are to be attached to the bit or cavesson and one (1) point of contact on the surcingle.
  - c) One (1) back pad, with or without a cover, maximum two (2) inches thick.
    - No hand or foot holds may be attached to the pad.
    - Pad may not extend more than eight (8) inches in front of the surcingle nor past the point of the croup.
  - d) Vaulting surcingle (preferably with wither and girth padding)
    - No more than two (2) grips
    - No more than one (1) cossack strap/loop on each side below the grip
    - No hand or foot holds may be attached to the surcingle wither/girth padding.
    - The surcingle may have one (1) loop between grips.
  - e) Lunge line
  - f) Lunge whip
2. Optional:
  - a) Bandages, protection boots
  - b) Breast collar or breast plate
  - c) Earmuffs and plugs
3. No auxiliary equipment is allowed.
  - a) Standing reins or auxiliary reins are not permitted.
  - b) The use of any equipment other than described above will entail elimination.

### Article 110. Facilities.

1. For Level I Recognized Competitions: The vaulting arena must be at least 22 meters (72.5 feet) in diameter with suitable footing. If the competition is held indoors or under cover, the ceiling height must be at least 5 meters (16.5 feet).
2. For Level II Recognized Competitions: The vaulting arena must be at

## 2019 AVA RULES FOR VAULTING

---

least 20.5 meters (67.5 feet) in diameter with suitable footing. If the competition is held indoors or under cover, the ceiling height must be at least 4.7 meters (15.5 feet).

3. The diameter of the lungeing circle must be between 13 and 15 meters (42.5 to 50 feet). The center of the circle must be clearly marked.
4. If the entire vaulting arena is not suitable vaulting surface, then the suitable vaulting surface must extend from 2 meters (6.6 feet) from the center point of the circle to at least 11 meters (36 ft) from the center point of the circle for Level I Recognized Competitions and to at least 10.28 meters (33.75 feet) from the center point of the circle for Level II Recognized Competitions.
5. The judge's booth(s) should be at least 12 meters (40 feet) from the center of the vaulting arena elevated at least .5 meter (1.5 feet) above the competition arena. Steps and protection from the elements must be provided.
6. Spectators must be located at a reasonable distance from the vaulting circle and judge's booth(s).
7. A suitable warm-up arena must be provided. An additional area for horse warm up must also be provided.
8. A ring steward must be present at each competition arena at all times during the competition.
9. For Team Two-Phase Event, an AVA regulation barrel is required. The handles are placed to the judge's left. The footing in the barrel arena must be suitable for vaulting. (See Standing Rules, Section VIII.D.4).
10. A countdown clock and one (1) stop watch must be provided at the Chief Judge's (Judge A) stand in each arena, or an official timer must be appointed, who shall sit next to the Chief Judge in each arena. If an official timer is needed, two (2) stop watches must be provided; one (1) to be used to time the performance and the other for timing entry, falls, time-outs, etc.
11. A Freestyle checker is required for Team Event. The official timer may act in that capacity to ascertain that each member of the team performs in the Freestyle.
12. A bell must be provided for the Chief Judge.

### **Article 111. Format.**

1. Competitors are to salute the Chief Judge upon entering and before exiting the arena, unless excused by the judge (see article 303.6.p-q).
2. Before beginning the performance, the horse must be trotted on the circle until the judge rings the bell to proceed. At this time, one (1) minute is allowed for horse warm-up, if requested. Vaulters are not allowed to approach or mount the horse during this warm-up. Vaulters may begin immediately (if no warm-up was requested) or wait for the bell to indicate the end of one (1) minute at which time vaulter **MUST** begin the performance. Excessive use of the horse warm-up may incur deductions from General Impression.
3. In all events, sections of the event(s) must be scheduled with a break



## 2019 AVA RULES FOR VAULTING

---

between sections.

4. Order of go for team events must be determined by draw for each section. Management may draw for all entrants.
  - a) Time of draw must be at least one (1) hour before the start of the competition.
  - b) Time and place of draw shall be announced in the prize list.
5. Order of go for individual events must be determined by draw, by club, for each section of the event. Management may draw for all clubs. The coach must specify order of vaulters.
  - a) Time of draw must be at least one (1) hour before the start of the competition.
  - b) Time and place of draw shall be announced in the prize list.
6. In recognized national team events, each team member must wear a number from 1 through 7, and must vault in that order for the compulsory section. Numbers must be easily visible to the judge(s).
7. Individual vaulters must wear a number which has been assigned to them by the AVA National Office. Number may be worn on the right arm or right leg and must be easily visible to the judge(s). Suggested dimensions and contrasts: number band 2"-2.5" (5-6.5 cm) and numbers 1.5"-2.0" (4-.5 cm) high; dark numbers on light band or light numbers on dark band.
8. Music is recommended during all performances. It is recommended that music be continuous for all competitors on the same horse during Individual Compulsories.
  - a) Music to be provided by the competitor, according to the equipment available.
  - b) Management must state in the prize list which system(s) will be available.
9. The dress for vaulters must be suitable for equestrian sport. It must not hinder the movement of the vaulter or the safe interaction between vaulters during the performance. The dress must in no way compromise the safety of either vaulter or horse.
  - a) The dress must not conceal the form and line of the vaulter's body during the performance in order not to hinder the judging of the exercises.
  - b) The dress must not give the effect of nudity.
  - c) The dress must be form-fitting and all articles of clothing, or parts thereof, must remain attached to the vaulter's body at all times.
  - d) Decorative accessories (not limited to but including belts, masks, jewelry) and props (not limited to but including hats, capes, canes, gadgets) are strictly forbidden in the arena.
  - e) Soft-soled shoes are required.
  - f) Trousers must be secured to the foot and skirts may only be worn over tights or leggings.
  - g) The apparel of the longeur should be harmonious with that of the

## 2019 AVA RULES FOR VAULTING

---

vaulter(s) and must be clean, neat and professional. Longeurs may wear belts, hats and/or scarfs, but should restrict their use of decorative accessories and adhere to the suitability for equestrian sport.

### Article 112. Timing.

1. The time allowed for each event begins the moment the first vaulter touches the surcingle, the pad or the horse and ends with the time limit (the bell). Only exercises (static or dynamic, including dismounts) already in progress when the bell rings will be included in the evaluation for degree of difficulty, performance and composition. All exercises and dismounts starting after the bell will be considered in the performance score (deductions only), but not in the degree of difficulty and composition scores. For timing requirements of specific events, please refer to the chapter for that event.

2. A bell is used by the Chief Judge to signal the competitors on the following occasions:

- a) To give the signal to enter the arena
    - Within one (1) minute after the bell, the vaulter(s) must salute the Chief Judge.
  - b) To give the signal at the end of the trot requirement to start the Compulsory test, the Freestyle test, and the Technical Program.
    - Within thirty (30) seconds after the bell, the vaulter(s) **MUST** start the performance.
  - c) To signal the end of time
  - d) To signal the competitor(s) to stop in case of unforeseen circumstances
    - The clock will be stopped and judging will cease.
  - e) To signal that time is stopped after a fall when the vaulter has lost contact with the horse or surcingle in Individual Freestyle or Individual Technical Program.
  - f) To signal that time is stopped after a fall where the vaulter(s) is unable to continue immediately or return to the line in Team Freestyle.
  - g) To signal the competitor(s) to continue after an interruption
    - The clock is started and judging begins when the vaulter touches the grip.
    - The test must be continued within thirty (30) seconds after the signal to resume.
  - h) To signal time-out in all events
3. Time-out in all events:
- a) In case of an injury or illness, the event and the clock will be stopped. The judge will indicate when the event and the clock will resume.
  - b) In the event of a horse casting a shoe or the breakage of equipment, the clock will be stopped for a maximum of seven (7) minutes.
  - c) The longeur may request one (1) time-out per performance to adjust

## 2019 AVA RULES FOR VAULTING

---

equipment. The clock will be stopped for a maximum of one (1) minute. At the longeur's request, the judge may give permission for outside assistance. The longeur may also adjust the equipment if necessary in between vaulters during individual freestyle, while the judge is scoring the previous freestyle.

- d) In the event that the freestyle music is not correct or malfunctions, the longeur may request a time out. The clock will be stopped for a maximum of two (2) minutes. If the malfunction occurs during the performance, and the clock is stopped, the vaulter(s) begin where they left off.
  - e) In the case of unforeseen circumstances, the bell will be sounded to indicate to the vaulter(s) to stop. The clock will be stopped and judging will cease. A bell will sound to indicate that the vaulter(s) is/are to recommence the performance. The clock will resume when the vaulter(s) retake the grips.
4. See AVA Rules Chapter III. Scoring for penalties and deductions.

### **Article 113. Unauthorized Assistance.** (See also Article 303.6)

1. No one other than the longeur may give any directive to the horse.
2. No one is permitted to approach the horse without the intention of mounting.
3. Spotting/boosting vaulters is not permitted.
4. In Recognized National Team Events, no one other than a longeur, a team of six (6) members and one (1) substitute may be in the arena for Team Compulsories. The substitute as declared by the team coach may not enter the arena for Team Freestyle.
5. In Individual Event, no one other than a longeur and individual(s) who are scheduled to compete at that specific time may be in the arena.
  - a) Only one (1) vaulter may be in the vaulting circle at a time.
  - b) Other competitors shall line-up outside the vaulting circle.
  - c) The next competitor may enter the vaulting circle when the previous vaulter begins the vault-off. An earlier entry entails elimination of the incoming vaulter.
6. See AVA Rules Chapter III. Scoring for penalties and deductions.

### **Article 114. Officials.**

1. Judges:
  - a) At least one (1) AVA Recognized Judge is required at each Recognized National Event, except at National Championships where at least two (2) AVA Recognized Judges are required for each Recognized National Event.
2. Ground Jury:
  - a) The invited judge(s) comprise the Ground Jury and must be selected from the current roster of AVA Recognized Vaulting Judges.
  - b) The President of the Ground Jury will be appointed by the

## 2019 AVA RULES FOR VAULTING

---

- organizing committee from the officiating judges.
3. Steward/Technical Delegate:
    - a) At National Championships, there must be a USEF licensed steward or technical delegate selected by the organizing committee.
    - b) At AVA Recognized Competitions where there is no technical delegate, the Chief Judge acts as the technical delegate.

## CHAPTER II. RECOGNIZED NATIONAL EVENTS

### TEAM EVENT

#### **Article 201. Recognized National Team Event Requirements (A, B, C and Trot Team).**

Consists of one (1) round of Compulsories and Freestyle performed in separate sections

1. Team Canter Event:
  - a) For A and B Teams the Compulsory section is performed at canter to the left. For C Team, the compulsory section is performed at canter to either the left or to the right.
  - b) The Freestyle section is performed at canter to the left.
2. Team Trot Event:
  - a) The Compulsory section is performed at trot to either the left or to the right.
  - b) The Freestyle section is performed at trot to the left.

#### **Article 202. Eligibility.**

1. Teams are comprised of six (6) vaulters, a substitute, and a longeur. All vaulters, including the substitute, must be members of registered AVA clubs in good standing. Longeurs must be registered members of the AVA in good standing.
2. **Canter Divisions:** May be divided into A, B and C divisions. A vaulter may not compete at the same competition at more than one (1) level of National Team Event.
  - a) For purposes of Team Canter Event, vaulters shall carry the following classification:
    - Class A
      - 1) A vaulter who holds a Gold medal
      - 2) A vaulter who competes at or who has ever competed at Individual Gold or at Individual 3\* level at an AVA Recognized Competition
    - Class B
      - 1) A vaulter who holds a Silver medal
      - 2) A vaulter who competes at or who has ever competed at Individual Silver level at an AVA Recognized Competition

### Class C

- 1) A vaulter who holds a Bronze medal
  - 2) A vaulter who is unrated
  - b) No Class A vaulter may compete on a C Team nor be the substitute.
  - c) No more than two (2) Class A vaulters may compete on a B Team, including the substitute.
  - d) No more than two (2) Class B vaulters may compete on a C Team including the substitute.
  - e) A vaulter's team classification (A, B or C) is as of the closing date of entries of the competition.
3. **Trot Division:** No vaulter may hold a medal higher than a Trot medal, including the substitute. Vaulters may not compete elsewhere in the same competition at the canter.

### **Article 203. Team Compulsories.**

1. A Team Compulsories are performed as follows:
  - a) Each vaulter, including the substitute, must perform the Compulsories together as follows:
    - 1) Mount
    - 2) Basic Seat
    - 3) Flag
    - 4) Mill
    - 5) Scissors 1st Part
    - 6) Scissors 2nd Part
    - 7) Stand
    - 8) First Part of Flank
    - 9) Swing off to Outside
2. B Team Compulsories are performed as follows:
  - a) Each vaulter, including the substitute, must perform the Compulsories together as follows:
    - 1) Mount
    - 2) Basic Seat
    - 3) Flag
    - 4) Mill
    - 5) Scissors 1st Part
    - 6) Scissors 2nd Part
    - 7) Stand
    - 8) First Part of Flank, Push off to Inside
3. C Team and Trot Team Compulsories are performed as follows:
  - a) Each vaulter, including the substitute, must perform the Compulsories together as follows:
    - 1) Mount
    - 2) Basic Seat

## 2019 AVA RULES FOR VAULTING

---

- 3) Flag
- 4) Stand
- 5) Swing Forward legs closed
- 6) 1/2 Mill
- 7) Swing Backward legs open, followed by dismount to inside (quarter mill around to inside off)

### **Time allowed:**

**In National Team Canter Events**, if an “A” Team or “B” Team does not include a substitute, the maximum time allowed for the performance of the Compulsory Test is six (6) minutes. If a substitute enters the arena with the team, he must perform the Compulsory Test and the maximum time allowed for the performance is seven (7) minutes. If a “C” Team does not include a substitute, the maximum time for the performance of the Compulsory Test is five (5) minutes. If a substitute enters the arena with a “C” Team, he must perform the Compulsory Test and the maximum time allowed for the performance is six (6) minutes. The Chief Judge will ring a bell signifying the end of time allowed. Compulsory exercises begun after the time limit will receive a score of zero (0).

**In Team Trot Events**, if a team does not include a substitute, the maximum time allowed for the performance of the Compulsory Test is six (6) minutes. If a substitute enters the arena with the team, he must perform the Compulsory Test and the maximum time allowed for the performance is seven (7) minutes. The Chief Judge will ring a bell signifying the end of time allowed. Compulsory exercises performed after the time limit will receive a score of zero (0).

4. Time for the Compulsories is taken from the moment the first vaulter touches the grips, until the last vaulter to perform touches the ground in the dismount or at the end of the time limit.
5. Each of the six (6) team members plus the substitute must perform all compulsory exercises.
6. Each vaulter must vault in order, according to his number.
7. Each static compulsory exercise must be held for four (4) full strides.
8. All compulsory exercises for all team members must be scored in one (1) section before that team’s Freestyle may begin.
9. Time wasted will incur point deductions. (See Article 303.1.c)
10. Judged on:
  - a) Performance:
    - 1) Mechanics
    - 2) Essence
    - 3) Form
    - 4) Scope
    - 5) Security
    - 6) Balance

- 7) Continuity
- 8) Harmony with the horse
- b) Horse/General Impression:
  - Horse (90%)
    - 1) Quality of the gait
    - 2) Submission
    - 3) Behavior
    - 4) Way of going
    - 5) Circle size
  - General Impression (10%)
    - 1) Entry
    - 2) Exit
    - 3) Salute
    - 4) Circle Size
    - 5) Lunging and presentation
    - 6) Comportment
    - 7) Turn out of team and longeur

11. See AVA Rules Chapter III. Scoring for penalties and deductions.

### **Article 204. Team Freestyle.**

1. A Freestyle routine of four (4) minutes maximum is performed by the team of six (6) vaulters. Only six (6) vaulters are allowed to enter the arena for Team Freestyle.
2. The team coach must declare to competition management, by the time specified by competition management, which members of the team will perform in Freestyle. The vaulters team numbers for Freestyle must remain the same as their numbers used for Compulsories.
3. All team members as declared by the coach must perform in the Freestyle or the team will be penalized under Composition and General Impression. (See Article 303.3.d.1 and 303.5.d.3)
4. Freestyle time begins when the first vaulter touches the grips and ends when the bell rings to indicate the end of time allowed, or when the last vaulter touches the ground.
5. Over weighting or overloading the horse will be penalized under Composition and General Impression. (See Article 303.3.c and 303.5.a)
6. No more than three (3) vaulters may be on the horse at any time, or in any exercise whether actually on the horse or not. (See Article 303.6.m)
7. In C Team and Trot Team, a maximum of six (6) static triples are allowed. (See Article 303.3.b.3.)
8. There must be at least two (2) vaulters in contact with the horse during any triple exercise for the exercise to be counted.
9. Each static Freestyle exercise must be held for three (3) full strides in order to be counted in Degree of Difficulty. A static exercise is one where

## 2019 AVA RULES FOR VAULTING

---

contact, support or holding points do not change. The count for each exercise commences when the final position is attained.

10. A and B Teams: Only the twenty-five (25) exercises with the highest Degree of Difficulty (DOD) will be scored. Value is as follows:

- D — exercises count 0.4 points
- M — exercises count 0.3 points
- E — exercises count 0.1 points

11. C and Trot Teams: Only the twenty-five (25) exercises with the highest Degree of Difficulty (DOD) will be scored. Value is as follows:

- D — exercises count 0.4 points
- M — exercises count 0.3 points
- E — exercises count 0.2 points

12. Judged on:

a) Degree of Difficulty (x15%):

- 1) Height off horse
- 2) Complication of the movements
- 3) Demands of suppleness, stretch, and timing
- 4) Number and security of holding points
- 5) Changes in direction (forward, backward, across)
- 6) Changes in relation to the horse (on neck, on croup, inside, outside)

b) Composition (x25%):

- 1) Use of space and direction in relation to the horse
- 2) Variety
- 3) Artistic Merit
- 4) Consideration for the horse

c) Performance (x40%) — Evaluation of each exercise and the performance in its entirety shall include:

- 1) Mechanics
- 2) Essence
- 3) Form
- 4) Scope
- 5) Security
- 6) Balance
- 7) Continuity
- 8) Harmony with the horse

d) Horse/General Impression (x20%) (See also Art. 106.9):

Horse (90%)

- 1) Quality of the gait
- 2) Submission
- 3) Behavior
- 4) Way of going
- 5) Circle size



## 2019 AVA RULES FOR VAULTING

---

General Impression (10%)

- 1) Entry
- 2) Exit
- 3) Salute
- 4) Circle Size
- 5) Lunging and presentation
- 6) Comportment
- 7) Turn-out of team and longeur

13. Falls:

- a) Vaulters(s) may continue after a fall. They must remount within one (1) minute in order to continue. The unsuccessful exercise may be repeated.
- b) The clock will be stopped for a maximum of one (1) minute for each fall. It will be restarted when the first vaulter touches the grips.

14. See AVA Rules Chapter III. Scoring for penalties and deductions.

### INDIVIDUAL EVENT

#### **Article 205. Individual 3\* Requirements.**

1. Eligibility: Individual 3\* Event is restricted to vaulters who are sixteen (16) years of age and above. Age is determined from the beginning of the calendar year in which an athlete reaches the age of sixteen (16). In addition, in order to compete in Individual 3\* Event, the vaulter must have qualified by earning a score of 7.0 or above in Compulsories at any USEF or AVA Recognized Competition in the Individual Silver, Gold or Junior Event. This qualifying score must have been earned from two (2) separate AVA Recognized "I" or "R" judges. The qualifying score may be earned at the same competition or at separate competitions. Exception: A vaulter who is already qualified to compete at CVI3\* Individual Event per FEI requirements.

2. Individual 3\* consist of one (1) round: Compulsories, Technical Test and Freestyle performed in separate sections.

- a) Women's and Men's divisions must be offered.

3. Competition is at the canter to the left for Compulsory, Technical Test and Freestyle sections.

#### **Article 206. Individual 3\* Compulsories.**

1. 3\* Compulsories - All eight (8) compulsory exercises are performed together as a unit.

- 1) Mount
- 2) Flag
- 3) Mill
- 4) Scissors 1st Part
- 5) Scissors 2nd Part
- 6) Stand

## 2019 AVA RULES FOR VAULTING

---

- 7) First Part of Flank
- 8) Second Part of Flank
2. All vaulters performing on the same horse should follow one another immediately without waiting for the bell.
3. No time limit
4. Judged on:
  - a) Performance:
    - 1) Mechanics
    - 2) Essence
    - 3) Form
    - 4) Scope
    - 5) Security
    - 6) Balance
    - 7) Continuity
    - 8) Harmony with the horse
  - b) Horse/General Impression:

Horse (90%)

    - 1) Quality of the gait
    - 2) Submission
    - 3) Behavior
    - 4) Way of going
    - 5) Circle size

General Impression (10%)

    - 1) Entry
    - 2) Exit
    - 3) Salute
    - 4) Circle Size
    - 5) Lunging and presentation
    - 6) Comportment
    - 7) Turn out of vaulter and longeur
5. Falls:
  - a) The vaulter may continue after a fall. He must remount within one (1) minute in order to continue with the next exercise.
  - b) The unsuccessful exercise receives a zero (0) and may not be repeated.
6. See AVA Rules Chapter III. Scoring for penalties and deductions.

### **Article 207. Individual 3\* Technical Test.**

1. The Technical Test is a one (1) minute (maximum) routine consisting of five (5) technical exercises and additional freestyle exercises chosen by the vaulter.
  - a) The technical exercises are from the following categories of motor skills:

## 2019 AVA RULES FOR VAULTING

---

- Balance
  - Timing/Coordination
  - Strength
  - Jump Force
  - Suppleness
- b) The exercises included in each category are described in the current FEI Guidelines for Judges.
- c) One (1) exercise from each category is designated by the FEI Vaulting Committee in the year before the World Championships, to be used during the two-year period following that World Championship. The five (5) Technical Exercises will be announced on the FEI website.
- d) The static exercises chosen as technical exercises must be held four (4) canter strides or will receive a deduction of one (1) point for each stride held less than four (4).

*Note: It is required that the judges write down their marks on the scoresheet for the additional freestyle exercises performed to give the vaulters more information on their performance.*

### 2. Judged on:

- a) The maximum score is 10.0. Decimals are allowed.
- b) The Technical Test receives ten (10) scores:
- Five (5) separate performance scores for the designated Technical exercises are averaged and then (x50%).
  - Composition x 25%
  - Performance x 10%
  - Horse/General Impression Score x 15%
- c) The four (4) scores are totaled.
- d) For deductions and scoring of the Technical Test, see the current FEI Guidelines for Judges.

### **Article 208. Individual 3\* Freestyle.**

1. Freestyle is a one (1) minute (maximum) routine of static and dynamic exercises.

- a) Static exercises must be held for three (3) full canter strides in order to be counted in Degree of Difficulty. A static exercise is one where contact, support or holding points do not change.
- b) Vaulters must stay in contact with the horse or surcingle except for leaps above the horse.
- c) Only the ten (10) most difficult exercises with a Degree of Difficulty (DOD) R, D or M will be counted in the Degree of Difficulty score.

The maximum score for DOD is 10.0. Value is as follows:

R — exercises count 1.3 points

D — exercises count 0.9 points

## 2019 AVA RULES FOR VAULTING

---

M — exercises count 0.4 points

- d) Repetitions of exercises and compulsory exercises will not be counted.

*Note: It is required that judges write down the degree of difficulty and their marks for each exercise on the score sheet to give more information to the vaulters on their performance.*

2. Judged on:

a) Degree of Difficulty (x15%):

- 1) Height off horse
- 2) Complication of movements
- 3) Demands of suppleness, stretch and timing
- 4) Number and security of holding points
- 5) Changes in direction (forward, backward, across)
- 6) Changes in relation to the horse (on neck, on croup, inside and outside)

b) Composition (x25%):

- 1) Use of space: Changes relative to the horse; on neck, on croup, on back, ground jumps, leaps, etc; And changes in direction (facing forward, facing backward, inside, outside, upside down, etc.).
- 2) Variety: Use of varied structure groups: sitting, kneeling, lying, standing, rolls; use of stretch, strength and balance exercises; use of pace: placement of static and dynamic exercises, transitions, etc.
- 3) Artistic Merit: Originality, development in the sequence of exercises; continuity and fluid transitions; expression of the music; charisma, punctuation, movements and presentation; music and lyrics appropriate to the vaulter and horse; and uniform appropriate to the vaulter and between the vaulter and the music.
- 4) Consideration of the Horse: Harmony with the horse; landings harmonious with the horse's movement; transitions and dynamic exercises performed smoothly with balanced movement; exercises appropriate for the horse and vaulter.

c) Performance (x40%) — Evaluation of each exercise and the performance in its entirety shall include:

- 1) Mechanics
- 2) Essence
- 3) Form
- 4) Scope (elevation, width, amplitude of movement)
- 5) Security
- 6) Balance
- 7) Continuity

## 2019 AVA RULES FOR VAULTING

---

- 8) Harmony with the horse
- d) Horse/General Impression (x20%):
  - Horse (90%):
    - 1) Quality of the gait
    - 2) Submission
    - 3) Behavior
    - 4) Way of going
    - 5) Circle size
  - General Impression (10%)
    - 1) Entry
    - 2) Exit
    - 3) Salute
    - 4) Circle Size
    - 5) Lunging and presentation
    - 6) Comportment
    - 7) Turn out of vaulter and longeur
3. Falls:
  - a) Vaulter may continue after a fall. They must remount within one (1) minute in order to continue. The unsuccessful exercise may be repeated.
  - b) The clock may be stopped for a maximum of one (1) minute for each fall. It will be restarted when the vaulter touches the grips.
4. See AVA Rules Chapter III. Scoring for penalties and deductions.

### **Article 209. Individual Gold/Silver Event Requirements.**

1. Gold Level consists of one (1) round: Compulsories, Freestyle and second Freestyle performed in separate sections. Silver Level consists of one (1) round, Compulsories, Freestyle and Compulsories to the Right performed in separate sections.
2. Competition may be offered at Gold and Silver levels.
  - a) Women's and Men's divisions must be offered at each level.
  - b) Vaulters who hold AVA Gold medals may not compete in the Silver division.
3. For Gold competition is at the canter to the left for Compulsory first Freestyle and second Freestyle.
4. For Silver competition is at the canter to the left for the Compulsory and Freestyle and to the right for Compulsories to the Right.
5. In the event there are more than thirty (30) competitors in the Silver Event, Competition Management, at its discretion, may limit the number of competitors who compete in Compulsories to the Right section. In this instance, the top fifteen (15) highest scoring women and the top fifteen (15) highest scoring men will advance to compete in the Compulsories to the Right section.

## 2019 AVA RULES FOR VAULTING

---

### Article 210. Gold/Silver Compulsories.

1. Gold Compulsories - All nine (9) compulsory exercises are performed together as a unit.

- 1) Mount
- 2) Basic Seat
- 3) Flag
- 4) Mill
- 5) Scissors 1st Part
- 6) Scissors 2nd Part
- 7) Stand
- 8) First Part of Flank
- 9) Second Part of Flank

2. Silver Compulsories - All eight (8) compulsory exercises are performed together as a unit.

- 1) Mount
- 2) Basic Seat
- 3) Flag
- 4) Mill
- 5) Scissors 1st Part
- 6) Scissors 2nd Part
- 7) Stand
- 8) First Part of Flank, Push off to Inside

3. All vaulters performing on the same horse should follow one another immediately without waiting for the bell.

4. No time limit

5. Judged on:

a) Performance:

- 1) Mechanics
- 2) Essence
- 3) Form
- 4) Scope
- 5) Security
- 6) Balance
- 7) Continuity
- 8) Harmony with the horse

b) Horse/General Impression:

Horse (90%)

- 1) Quality of the gait
- 2) Submission
- 3) Behavior
- 4) Way of going
- 5) Circle size

General Impression (10%)

- 1) Entry

## 2019 AVA RULES FOR VAULTING

---

- 2) Exit
  - 3) Salute
  - 4) Circle Size
  - 5) Lunging and presentation
  - 6) Comportment
  - 7) Turn out of vaulter and longueur
6. Falls:
- a) The vaulter may continue after a fall. He must remount within one (1) minute in order to continue with the next exercise.
  - b) The unsuccessful exercise receives a zero (0) and may not be repeated.
7. See AVA Rules Chapter III. Scoring for penalties and deductions.

### **Article 211. Gold/Silver Freestyle.**

1. Freestyle is a one (1) minute (maximum) routine of static and dynamic exercises.
  - a) Static exercises must be held for three (3) full canter strides in order to be counted in Degree of Difficulty. A static exercise is one where contact, support or holding points do not change.
  - b) Vaulter must stay in contact with the horse or surcingle except for leaps above the horse.
  - c) Only the ten (10) most difficult exercises with a Degree of Difficulty (DOD) R, D or M will be counted in the Degree of Difficulty score. The maximum score for DOD is 10.0. Value is as follows:
    - R — exercises count 1.3 points
    - D — exercises count 0.9 points
    - M — exercises count 0.4 points
  - d) Repetitions of exercises and compulsory exercises will not be counted.

*Note: It is required that judges write down the degree of difficulty and their marks for each exercise on the score sheet to give more information to the vaulters on their performance.*
2. Judged on:
  - a) Degree of Difficulty (x15%):
    - 1) Height off horse
    - 2) Complication of movements
    - 3) Demands of suppleness, stretch and timing
    - 4) Number and security of holding points
    - 5) Changes in direction (forward, backward, across)
    - 6) Changes in relation to the horse (on neck, on croup, inside and outside)
  - b) Composition (x25%):
    - 1) Use of space: Changes relative to the horse; on neck, on croup, on back, ground jumps, leaps, etc; And changes in direction (facing forward, facing backward, inside, outside, upside down, etc.).

## 2019 AVA RULES FOR VAULTING

---

- 2) Variety: Use of varied structure groups: sitting, kneeling, lying, standing, rolls; use of stretch, strength and balance exercises; use of pace: placement of static and dynamic exercises, transitions, etc.
  - 3) Artistic Merit: Originality, development in the sequence of exercises; continuity and fluid transitions; expression of the music; charisma, punctuation, movements and presentation; music and lyrics appropriate to the vaulter and horse; and uniform appropriate to the vaulter and between the vaulter and the music.
  - 4) Consideration of the Horse: Harmony with the horse; landings harmonious with the horse's movement; transitions and dynamic exercises performed smoothly with balanced movement; exercises appropriate for the horse and vaulter.
- c) Performance (x40%) — Evaluation of each exercise and the performance in its entirety shall include:
- 1) Mechanics
  - 2) Essence
  - 3) Form
  - 4) Scope (elevation, width, amplitude of movement)
  - 5) Security
  - 6) Balance
  - 7) Continuity
  - 8) Harmony with the horse
- d) Horse/General Impression (x20%):
- Horse (90%):
- 1) Quality of the gait
  - 2) Submission
  - 3) Behavior
  - 4) Way of going
  - 5) Circle size
- General Impression (10%)
- 1) Entry
  - 2) Exit
  - 3) Salute
  - 4) Circle Size
  - 5) Lunging and presentation
  - 6) Comportment
  - 7) Turn out of vaulter and longeur
3. Falls:
- a) Vaulter may continue after a fall. He must remount within one (1) minute in order to continue. The unsuccessful exercise may be repeated.
  - b) The clock may be stopped for a maximum of one (1) minute for each fall. It will be restarted when the vaulter touches the grips.



## 2019 AVA RULES FOR VAULTING

---

4. See AVA Rules Chapter III. Scoring for penalties and deductions.

### **Article 212. Individual Bronze Event Requirements.**

1. Consists of one (1) round: Compulsories, Freestyle and Compulsories to the Right performed in separate sections.
  - a) Women's and Men's divisions must be offered.
  - b) Vaulters who hold AVA Gold or Silver medals may not compete in the Bronze division.
2. Competition is at the canter to the left for Compulsory and Freestyle and to the right for Compulsories to the Right.
3. In the event there are more than thirty (30) competitors in the Bronze Event, Competition Management, at its discretion, may limit the number of competitors who compete in the Compulsories to the Right section. In this instance, the top fifteen (15) highest scoring women and the top fifteen (15) highest scoring men will advance to compete in the Compulsories to the Right section.

### **Article 213. Bronze Compulsories.**

1. All eight (8) compulsory exercises are performed together as a unit.
  - 1) Mount
  - 2) Basic Seat
  - 3) Flag
  - 4) Mill
  - 5) Scissors 1st Part
  - 6) Scissors 2nd Part
  - 7) Stand
  - 8) First part of Flank, Push off to Inside
2. All vaulters performing on the same horse should follow one another immediately without waiting for the bell.
3. No time limit
4. Judged on:
  - a) Performance:
    - 1) Mechanics
    - 2) Essence
    - 3) Form
    - 4) Scope
    - 5) Security
    - 6) Balance
    - 7) Continuity
    - 8) Harmony with the horse
  - b) Horse/General Impression:  
Horse (90%):
    - 1) Quality of the gait

## 2019 AVA RULES FOR VAULTING

---

- 2) Submission
- 3) Behavior
- 4) Way of going
- 5) Circle size

General Impression (10%)

- 1) Entry
- 2) Exit
- 3) Salute
- 4) Circle Size
- 5) Lunging and presentation
- 6) Comportment
- 7) Turn out of vaulter and longeur

5. Falls:
  - a) The vaulter may continue after a fall. He must remount within one (1) minute in order to continue with the next exercise.
  - b) The unsuccessful exercise receives a zero (0) and may not be repeated.
6. See AVA Rules Chapter III. Scoring for penalties and deductions.

### **Article 214. Bronze Freestyle.**

1. Freestyle is a one (1) minute (maximum) routine of static and dynamic exercises.
  - a) Static exercises must be held for three (3) full canter strides in order to be counted in Degree of Difficulty. A static exercise is one where contact, support or holding points do not change.
  - b) Vaulter must stay in contact with the horse or surcingling except for leaps above the horse.
  - c) All exercises with a Degree of Difficulty (DOD) D, M or E will be counted in the Degree of Difficulty score. The maximum score for DOD is 9.0. Value is as follows:
    - D — exercises count 0.9 points
    - M — exercises count 0.4 points
    - E — exercises count 0.3 points
  - d) Repetitions of exercises and compulsory exercises will not be counted.

*Note: It is required that judges write down the degree of difficulty and their marks for each exercise on the score sheet to give more information to the vaulters on their performance.*
2. Judged on:
  - a) Degree of Difficulty (x15%):
    - 1) Height off horse
    - 2) Complication of the movements
    - 3) Demands of suppleness, stretch and timing
    - 4) Number and security of holding points

## 2019 AVA RULES FOR VAULTING

---

- 5) Changes in direction (forward, backward, across)
- 6) Changes in relation to the horse (on neck, on croup, inside, outside)
- b) Composition (x25%):
  - 1) Use of space: Changes relative to the horse; on neck, on croup, on back, ground jumps, leaps, etc; And changes in direction (facing forward, facing backward, inside, outside, upside down, etc.).
  - 2) Variety: Use of varied structure groups: sitting, kneeling, lying, standing, rolls; use of stretch, strength and balance exercises; use of pace: placement of static and dynamic exercises, transitions, etc.
  - 3) Artistic Merit: Originality, development in the sequence of exercises; continuity and fluid transitions; expression of the music; charisma, punctuation, movements and presentation; music and lyrics appropriate to the vaulter and horse; and uniform appropriate to the vaulter and between the vaulter and the music.
  - 4) Consideration of the Horse: Harmony with the horse; landings harmonious with the horse's movement; transitions and dynamic exercises performed smoothly with balanced movement; exercises appropriate for the horse and vaulter.
- c) Performance (x40%) — Evaluation of each exercise and the performance in its entirety shall include:
  - 1) Mechanics
  - 2) Essence
  - 3) Form
  - 4) Scope (elevation, width, amplitude of movement)
  - 5) Security
  - 6) Balance
  - 7) Continuity
  - 8) Harmony with the horse
- d) Horse/General Impression (x20%):
  - Horse (90%):
    - 1) Quality of the gait
    - 2) Submission
    - 3) Behavior
    - 4) Way of going
    - 5) Circle size
  - General Impression (10%)
    - 1) Entry
    - 2) Exit
    - 3) Salute
    - 4) Circle Size
    - 5) Lunging and presentation
    - 6) Comportment

## 2019 AVA RULES FOR VAULTING

---

- 7) Turn out of vaulter and longeur
3. Falls:
  - a) Vaulter may continue after a fall. He must remount within one (1) minute in order to continue. The unsuccessful exercise may be repeated.
  - b) The clock may be stopped for a maximum of one (1) minute for each fall. It will be restarted when the vaulter touches the grips.
4. See AVA Rules Chapter III. Scoring for penalties and deductions.

### **Article 215. Individual Copper Event Requirements**

1. Consists of one (1) round: Compulsories and Freestyle performed in separate sections.
  - a) Women's and Men's divisions must be offered
  - b) Vaulters who hold any canter medal may not compete in the Copper division.
2. The competition is at the canter to the left for both Compulsory and Freestyle sections.

### **Article 216. Copper Compulsories.**

1. All seven (7) compulsory exercises are performed together as a unit.
  - 1) Mount
  - 2) Basic Seat
  - 3) Flag
  - 4) Stand
  - 5) Swing Forward legs closed
  - 6) 1/2 Mill
  - 7) Swing Backward legs open, followed by dismount to inside (quarter mill around to inside off)
2. All vaulters performing on the same horse should follow one another immediately without waiting for the bell.
3. No time limit
4. Judged on:
  - a) Performance
    - 1) Mechanics
    - 2) Essence
    - 3) Form
    - 4) Scope
    - 5) Security
    - 6) Balance
    - 7) Continuity
    - 8) Harmony with the horse
  - b) Horse/General Impression  
Horse (90%):
    - 1) Quality of the gait
    - 2) Submission

- 3) Behavior
- 4) Way of going
- 5) Circle size
- General Impression (10%)
  - 1) Entry
  - 2) Exit
  - 3) Salute
  - 4) Circle Size
  - 5) Lunging and presentation
  - 6) Comportment
  - 7) Turn out of vaulter and longeur
5. Falls:
  - a) The vaulter may continue after a fall. He must remount within one (1) minute in order to continue with the next exercise.
  - b) The unsuccessful exercise receives a zero (0) and may not be repeated.
6. See AVA Rules Chapter III. Scoring for penalties and deductions.

### **Article 217. Copper Freestyle.**

1. Freestyle is a one (1) minute (maximum) routine of static and dynamic exercises.
  - a) Static exercises must be held for three (3) full canter strides. A static exercise is one where contact, support or holding points do not change.
  - b) Vaulter must stay in contact with the horse. Ground jumps and leaps above the horse are NOT allowed and will receive a deduction if performed; hop from forward facing kneel to forward facing feet is allowed.
  - c) Only dismounts chosen from the list of dismounts shown in Appendix D of this Rule Book are allowed, all other dismounts will receive a deduction if performed.
2. Judged on:
  - a) Content (x2)
    - 1) Use of space
    - 2) Use of pace
    - 3) Variety
    - 4) Originality
    - 5) Development
    - 6) Music interpretation
    - 7) Artistic merit
    - 8) Appropriateness of exercises
    - 9) Consideration for the horse
  - b) Performance (x3) – Evaluation of each exercise and the performance in its entirety shall include:
    - 1) Mechanics

## 2019 AVA RULES FOR VAULTING

---

- 2) Essence
- 3) Form
- 4) Scope
- 5) Security
- 6) Balance
- 7) Continuity
- 8) Harmony with the horse
- c) Horse/General Impression (x1)
  - Horse (90%):
    - 1) Quality of the gait
    - 2) Submission
    - 3) Behavior
    - 4) Way of going
    - 5) Circle size
  - General Impression (10%)
    - 1) Entry
    - 2) Exit
    - 3) Salute
    - 4) Circle Size
    - 5) Lunging and presentation
    - 6) Comportment
    - 7) Turn-out of vaulter(s) and longeur
3. Falls:
  - a) The vaulter may continue after a fall. He must remount within one (1) minute in order to continue with the next exercise.  
The unsuccessful exercise may be repeated.
  - b) The clock may be stopped for a maximum of one (1) minute for each fall. It will be restarted when the vaulter touches the grips or the horse.
4. See AVA Rules Chapter III. Scoring, for penalties and deductions.

### **Article 218. Individual Trot Event Requirements.**

1. Consists of one (1) round: Compulsories and Freestyle performed in separate sections.
  - a) Women's and Men's divisions must be offered
  - b) Open to trot medal holder or below
2. The competition is at the trot to the left for both Compulsory and Freestyle section.

### **Article 219. Trot Compulsories**

1. All seven (7) compulsory exercises are performed together as a unit.
  - 1) Mount
  - 2) Basic Seat
  - 3) Flag
  - 4) Stand

## 2019 AVA RULES FOR VAULTING

---

- 5) Swing Forward legs closed
- 6) 1/2 Mill
- 7) Swing Backward legs open, followed by dismount to inside (quarter mill around to inside off)
2. All vaulters performing on the same horse should follow one another immediately without waiting for the bell.
3. No time limit
4. Judged on:
  - a) Performance
    - 1) Mechanics
    - 2) Essence
    - 3) Form
    - 4) Scope
    - 5) Security
    - 6) Balance
    - 7) Continuity
    - 8) Harmony with the horse
  - b) Horse/General Impression  
Horse (90%):
    - 1) Quality of the gait
    - 2) Submission
    - 3) Behavior
    - 4) Way of going
    - 5) Circle sizeGeneral Impression (10%)
    - 1) Entry
    - 2) Exit
    - 3) Salute
    - 4) Circle Size
    - 5) Lunging and presentation
    - 6) Comportment
    - 7) Turn out of vaulter and longeur
5. Falls:
  - a) The vaulter may continue after a fall. He must remount within one (1) minute in order to continue with the next exercise
  - b) The unsuccessful exercise receives a zero (0) and may not be repeated.
6. See AVA Rules Chapter III. Scoring for penalties and deductions.

### **Article 220. Trot Freestyle**

1. Freestyle is a one (1) minute (maximum) routine of static and dynamic exercises.
  - a) Static exercises must be held for three (3) full trot strides. A static exercise is one where contact, support or holding points do not change.

## 2019 AVA RULES FOR VAULTING

---

- b) Vaulters must stay in contact with the horse. Ground jumps and leaps above the horse are NOT allowed and will receive a deduction if performed; hop from forward facing kneel to forward facing feet is allowed.
  - c) Only dismounts chosen from the listed dismounts in Appendix D of this Rule Book are allowed, all other dismounts will receive a deduction if performed.
2. Judged on:
- a) Content (x2)
    - 1) Use of space
    - 2) Use of pace
    - 3) Variety
    - 4) Originality
    - 5) Development
    - 6) Music interpretation
    - 7) Artistic merit
    - 8) Appropriateness of exercises
    - 9) Consideration for the horse
  - b) Performance (x3)
    - 1) Mechanics
    - 2) Essence
    - 3) Form
    - 4) Scope (elevation, width, amplitude of movement)
    - 5) Security
    - 6) Balance
    - 7) Continuity
    - 8) Harmony with the horse
  - c) Horse/General Impression (x1)
    - Horse (90%):
      - 1) Quality of the gait
      - 2) Submission
      - 3) Behavior
      - 4) Way of going
      - 5) Circle size
    - General Impression (10%)
      - 1) Entry
      - 2) Exit
      - 3) Salute
      - 4) Circle Size
      - 5) Lunging and presentation
      - 6) Comportment
      - 7) Turn out of vaulter and longeur
3. Falls:



- a) The vaulter may continue after a fall. He must remount within one (1) minute in order to continue with the next exercise. The unsuccessful exercise may be repeated.
  - b) The clock may be stopped for a maximum of one (1) minute for each fall. It will be restarted when the vaulter touches the grips or the horse.
4. See AVA Rules Chapter III. Scoring, for penalties and deductions.

### PAS DE DEUX EVENT

#### **Article 221. Pas de Deux Event Requirements.**

1. Pairs event is composed of two (2) vaulters.
2. Open and Preliminary division consists of one (1) or two (2) rounds of Freestyle performed at canter to the left, with a time limit of two (2) minutes each for Open Canter division, and a time limit of one-and-a-half minutes (90 seconds) each for Preliminary Canter. Trot division is one (1) round of Freestyle with a time limit of one-and-a-half minutes (90 seconds).
3. Canter Divisions:
  - a) Open division
    - 1) Any vaulter
  - b) Preliminary division
    - 1) Neither vaulter may hold a Gold medal nor compete at or ever have competed at Individual 3\* or Gold level at any AVA Recognized Competition.
    - 2) No more than one (1) vaulter may hold a Silver medal nor compete at or ever have competed at Individual Silver level at any AVA Recognized Competition.
  - c) Trot division
    - 1) Open to vaulters who do not hold any canter medals nor are vaulting at the same competition in any AVA recognized canter classes.

#### **Article 222. Open Canter Pas de Deux Freestyle.**

1. Freestyle is a two (2) minute (maximum) routine of static and dynamic exercises with no requirements or limitations.
  - a) Static exercises must be held for three (3) full strides at the appropriate gait. A static exercise is one where contact, support or holding points do not change.
  - b) Both vaulters must stay in contact with the horse, surcingle or each other. Ground jumps, leaps and exercises above the horse are allowed.
  - c) Only the thirteen (13) exercises with the highest Degree of Difficulty (DOD) of D or M will be scored. Maximum DOD is 10.0. Value is as follows:
    - D — exercises count 0.8 points
    - M — exercises count 0.4 points
    - E — exercises count 0.0 points

## 2019 AVA RULES FOR VAULTING

---

- d) Exercises to be counted in DOD are:
  - 1) The mount and dismount of each vaulter
  - 2) Double exercises.
  - 3) If two (2) static exercises are performed simultaneously, only the most difficult one is scored.
  - 4) If one (1) static and one (1) dynamic exercises are performed simultaneously, and the vaulters are not in contact with each other, each exercise receives a score.
  - 5) If two (2) dynamic exercises from different structure groups are performed, each exercise receives a score.
  - 6) Aside from the mount and dismount, no exercise with only one (1) vaulter on horse receives a score.
- 2. Judged on:
  - a) Degree of Difficulty (x 15%):
    - 1) Height off horse
    - 2) Complication of movements
    - 3) Demands of suppleness, stretch and timing
    - 4) Number and security of holding points
    - 5) Changes in direction (forward, backward, across)
    - 6) Changes in relation to the horse (on neck, croup, inside, outside)
  - b) Composition (x 25%)
    - 1) Use of space: Changes relative to the horse; on neck, on croup, on back, ground jumps, leaps, etc.; And changes in direction (facing forward, facing backward, inside, outside, upside down, etc.)
    - 2) Variety: Use of varied structure groups: sitting, kneeling, lying, standing, rolls; use of stretch, strength and balance exercises; use of pace: placement of static and dynamic exercises, transitions, etc.
    - 3) Artistic Merit: Originality, development in the sequence of exercises; continuity and fluid transitions; expression of the music; charisma, punctuation, movements and presentation; interaction between the vaulters; music and lyrics appropriate to the vaulters and horse; and uniform appropriate to the vaulters and to the music.
    - 4) Consideration of the Horse: Harmony with the horse; exercises appropriate for the horse and the vaulter(s)
  - c) Performance (x 40%) — Evaluation of each exercise and the performance in its entirety shall include:
    - 1) Mechanics
    - 2) Essence
    - 3) Form
    - 4) Scope
    - 5) Security
    - 6) Balance

- 7) Continuity
- 8) Harmony with the horse
- d) Horse/General Impression (x 20%):
  - Horse (90%):
    - 1) Quality of the gait
    - 2) Submission
    - 3) Behavior
    - 4) Way of going
    - 5) Circle size
  - General Impression (10%)
    - 1) Entry
    - 2) Exit
    - 3) Salute
    - 4) Circle Size
    - 5) Lunging and presentation
    - 6) Comportment
    - 7) Turn out of team and longeur
3. Falls:
  - a) Vaulters(s) may continue after a fall. They must remount within one (1) minute in order to continue. The unsuccessful exercise may be repeated.
  - b) The clock may be stopped for a maximum of one (1) minute for each fall. It will be restarted when the first vaulter touches the grips.
4. See AVA Rules Chapter III. Scoring for penalties and deductions.

### **Article 223. Preliminary Canter Pas de Deux Freestyle.**

1. Freestyle is a one and a half minute (90 seconds) (maximum) routine of static and dynamic exercises with no requirements or limitations.
  - a) Static exercises must be held for three (3) full strides at the appropriate gait. A static exercise is one where contact, support or holding points do not change.
  - b) Both vaulters must stay in contact with the horse, surcingle or each other. Ground jumps, leaps and exercises above the horse are allowed.
  - c) Only the ten (10) exercises with the highest Degree of Difficulty (DOD) of D or M will be scored. Maximum DOD is 10.0. Value is as follows:
    - D — exercises count 1.0 points
    - M — exercises count 0.5 points
    - E — exercises count 0.1 points
  - d) Exercises to be counted in DOD are:
    - 1) The mount and dismount of each vaulter
    - 2) Double exercises.
    - 3) If two (2) static exercises are performed simultaneously, only the most difficult one is scored.
    - 4) If one (1) static and one (1) dynamic exercises are performed simultaneously, and the vaulters are not in contact with each

## 2019 AVA RULES FOR VAULTING

---

- other, each exercise receives a score.
- 5) If two (2) dynamic exercises from different structure groups are performed, each exercise receives a score.
  - 6) Aside from the mount and dismount, no exercise with only one (1) vaulter on horse receives a score.
2. Judged on:
- a) Degree of Difficulty (x 15%):
    - 1) Height off horse
    - 2) Complication of movements
    - 3) Demands of suppleness, stretch and timing
    - 4) Number and security of holding points
    - 5) Changes in direction (forward, backward, across)
    - 6) Changes in relation to the horse (on neck, on croup, inside, outside)
  - b) Composition (x 25%)
    - 1) Use of space: Changes relative to the horse; on neck, on croup, on back, ground jumps, leaps, etc.; And changes in direction (facing forward, facing backward, inside, outside, upside down, etc.)
    - 2) Variety: Use of varied structure groups: sitting, kneeling, lying, standing, rolls; use of stretch, strength and balance exercises; use of pace: placement of static and dynamic exercises, transitions, etc.
    - 3) Artistic Merit: Originality, development in the sequence of exercises; continuity and fluid transitions; expression of the music; charisma, punctuation, movements and presentation; interaction between the vaulters; music and lyrics appropriate to the vaulters and horse; and uniform appropriate to the vaulters and to the music.
    - 4) Consideration of the Horse: Harmony with the horse; exercises appropriate for the horse and the vaulter(s)
  - c) Performance (x 40%) — Evaluation of each exercise and the performance in its entirety shall include:
    - 1) Mechanics
    - 2) Essence
    - 3) Form
    - 4) Scope
    - 5) Security
    - 6) Balance
    - 7) Continuity
    - 8) Harmony with the horse
  - d) Horse/General Impression (x 20%):

Horse (90%):

    - 1) Quality of the gait

- 2) Submission
- 3) Behavior
- 4) Way of going
- 5) Circle size
- General Impression (10%)
  - 1) Entry
  - 2) Exit
  - 3) Salute
  - 4) Circle Size
  - 5) Lunging and presentation
  - 6) Comportment
  - 7) Turn out of team and longeur
3. Falls:
  - a) Vaulters(s) may continue after a fall. They must remount within one (1) minute in order to continue. The unsuccessful exercise may be repeated.
  - b) The clock may be stopped for a maximum of one (1) minute for each fall. It will be restarted when the first vaulter touches the grips.
4. See AVA Rules Chapter III. Scoring for penalties and deductions.

### **Article 224. Trot Pas de Deux Freestyle**

1. Freestyle is a one and a half (90 seconds) (maximum) routine of static and dynamic exercises with no requirements or limitations.
  - a) Static exercises must be held for three (3) full strides at the appropriate gait. A static exercise is one where contact, support or holding points do not change.
  - b) Both vaulters must stay in contact with the horse, surcingle or each other. Ground jumps, leaps and exercises above the horse are allowed.
2. Judged on:
  - a) Content (x2):
    - 1) Use of Space
    - 2) Use of Pace
    - 3) Variety
    - 4) Originality
    - 5) Development
    - 6) Music Interpretation
    - 7) Artistic Merit
    - 8) Appropriateness of exercises
    - 9) Consideration of horse
  - b) Performance (x3)
    - 1) Mechanics
    - 2) Essence
    - 3) Form
    - 4) Scope
    - 5) Security

## 2019 AVA RULES FOR VAULTING

---

- 6) Balance
- 7) Continuity
- 8) Harmony with the horse
- c) Horse/General Impression (x1):
  - Horse (90%):
    - 1) Quality of the gait
    - 2) Submission
    - 3) Behavior
    - 4) Way of going
    - 5) Circle size
  - General Impression (10%)
    - 1) Entry
    - 2) Exit
    - 3) Salute
    - 4) Circle Size
    - 5) Lunging and presentation
    - 6) Comportment
    - 7) Turn out of pair and longeur
3. Falls:
  - a) Vaulters may continue after a fall. They must remount within one (1) minute in order to continue. The unsuccessful exercise may be repeated.
  - b) The clock may be stopped for a maximum of one (1) minute for each fall. It will be restarted when the first vaulter touches the grips.
4. See AVA Rules Chapter III. Scoring for penalties and deductions.

### TWO-PHASE EVENT

#### **Article 225. Team Two-Phase Event Requirements.**

This event is performed in two (2) separate sections.

1. Two-Phase Phase 1 is compulsories and is performed on the horse to the right; Phase 2 is a Freestyle and is performed on the barrel.
2. Teams shall consist of four (4) vaulters plus a substitute and longeur.
3. Divisions:
  - a) Open Canter
    - 1) No restrictions apply.
  - b) Preliminary Canter
    - 1) No vaulter may hold a Gold or Silver medal nor compete at or ever have competed at Individual 3\*, Gold or Silver level at any AVA Recognized Competition.

#### **Article 226. Phase 1 — Horse.**

1. Each vaulter, including the substitute, must perform all compulsory exercises at canter to the right. There is no time limit.
2. Each exercise is performed as in Team Canter Event except that the

## 2019 AVA RULES FOR VAULTING

---

exercises are mirror images of the exercises to the left.

- a) For Open Canter Division, the compulsory exercises are as in Team B division.
  - b) For Preliminary Canter Division, the compulsory exercises are as in Team C division.
3. All rules which apply to the Compulsory section of Team Canter Event also apply to this phase.
4. Judged on:
- a) Performance:
    - 1) Mechanics
    - 2) Essence
    - 3) Form
    - 4) Scope
    - 5) Security
    - 6) Balance
    - 7) Continuity
    - 8) Harmony with the horse
  - b) Horse/General Impression:  
Horse (90%):
    - 1) Quality of the gait
    - 2) Submission
    - 3) Behavior
    - 4) Way of going
    - 5) Circle sizeGeneral Impression (10%)
    - 1) Entry
    - 2) Exit
    - 3) Salute
    - 4) Circle Size
    - 5) Lunging and presentation
    - 6) Comportment
    - 7) Turn out of team and longeur

### **Article 227. Phase 2 — Barrel.**

1. Three (3) minute Freestyle routine. Only four (4) vaulters are allowed to enter the arena for the freestyle. The team coach must declare to competition management, by the time specified by competition management, which members of the team will perform in the Freestyle. All team members, as declared by the coach, must perform in the Freestyle or the team will be penalized under General Impression.
2. All applicable rules for Team Freestyle will apply. No other equipment or attachments to the barrel are allowed. No more than three (3) vaulters may be in an exercise at any time.

## 2019 AVA RULES FOR VAULTING

---

3. Time:
  - a) Begins when the first vaulter(s) touches the barrel
  - b) Judging ends after three (3) minutes at which time a bell will sound.
4. Judged on:
  - a) Content (x1):
    - 1) Use of space/direction
    - 2) Variety of exercises
    - 3) Artistic Merit
    - 4) Consideration of Horse/Barrel
  - b) Performance (x1) - Evaluation of each exercise and the performance in its entirety shall include:
    - 1) Form
    - 2) Balance
    - 3) Security
    - 4) Stretch and Scope
    - 5) Falls and failures
  - c) General Impression (x1):
    - 1) Turnout
    - 2) Entry
    - 3) Exit
    - 4) Salute
    - 5) Comportment
5. See AVA Rules Chapter III. Scoring for penalties and deductions.

### CHAPTER III. SCORING

**Article 301. Judging Code.** (Listed in alphabetical order by term).

AL - Alignment

AB - Arched Back

A - Arms

B - Balance

C - Collapse

CD - Come Down

CT - Control

D - Dismount

DL - Down Leg

E - Elevation

X - Extension

O - Fall

OD - Fall on Dismount

FT - Feet

FL - Flight

F - Form

FK - Frog Kick

FH - Front High

GJ - Ground Jump

HZ - Hands

HM - Harmony

H - Head

HH - Hit Horse

HK - Hook

INT - Interruption

K - Kneel

KZ - Knees

LH - Lands Heavily

LD - Late Dismount

LT - Late Turn

L - Legs

LA - Legs Apart



## 2019 AVA RULES FOR VAULTING

---

LF - Legs Forward  
MX - Mechanics  
M - Mount  
NT - No Turn  
NC - Not Clear of Horse  
NH - Not Held  
OC - Off Center  
OH - Off Horse  
PD - Pad  
PT - Partial Turn  
PK - Pike  
PL - Poor Landing  
P - Posture  
PB - Push Back  
Q - Quick  
R - Repeat  
SC - Scope  
SK - Security  
SH - Shoulders  
SS - Side Seat  
SL - Slow

ST - Stiff  
SX - Stretch  
SP - Suppleness  
TW - Time Wasted  
T - Timing  
TZ - Toes  
TG - Touched Ground  
TH - Touched Horse  
TI - Turned In  
UE - Uneven Elevation  
UR - Uneven Rhythm  
W - Wrap

### COMMENTS FOR HORSE SCORE:

BH - Behavior  
CS - Circle Size  
GT - Gait  
LW - Longeur Walking  
SB - Submission  
TM - Tempo

### Article 302. Points and Values.

10 - Excellent  
9 - Very good  
8 - Good  
7 - Fairly good  
6 - Satisfactory  
5 - Marginal  
4 - Insufficient  
3 - Fairly Poor  
2 - Poor  
1 - Very Poor  
0 - Not Performed (or as a result of deductions)

1. Scoring may be in tenths for all events including medal examinations. The maximum score is 10.0.
2. Scores are rounded to the third decimal. (For further information about scoring particular events, see Section 304–309 of this chapter. See also Standing Rules, Section VIII Recognized Competitions – E. Scoring.)
3. Tie breakers:
  - a) Individual 3\*, Gold, Silver and Bronze Events:
    - 1) Compulsory: Score for Basic Seat, Flag, etc. (Individual 3\*

## 2019 AVA RULES FOR VAULTING

---

- does not perform Basic Seat; therefore, the tie breaker begins with Flag).
- 2) Freestyle: Score for Composition then Performance;
  - 3) Technical Test: Score for Composition, then Performance;
  - 4) Overall: Compulsory score
- b) Individual Copper and Trot Events:
- 1) Compulsory: Score for Basic Seat, Flag, etc. The Mount and Horse scores are not used.
  - 2) Freestyle: Score for Content then Performance.
- c) Team Event (A and B)
- 1) Compulsory: Sum of the six (6) vaulters' scores for Basic Seat, then the sum for the Flag, etc. The mount and horse scores are not used.
  - 2) Freestyle: Score for Composition then score for Performance;
  - 3) Overall: Compulsory score.
- d) Team Event (C and Trot)
- 1) Compulsory: Sum of the six (6) vaulters' scores for Basic Seat, then the sum for the Flag, etc. The mount and horse scores are not used.
  - 2) Freestyle: Score for Composition then score for Performance;
  - 3) Overall: Compulsory score.
- e) Pas de Deux Event:
- 1) Freestyle: Score for Content/Composition, then score for Performance;
  - 2) Overall: Score for Content/Composition, then score for Performance.
- f) Two Phase Team Event:
- 1) Open Canter Compulsory: Sum of the four (4) vaulters' scores for Basic Seat, then the sum for Flag, etc. The mount and horse scores are not used.
  - 2) Preliminary Canter Compulsory: Sum of the four (4) vaulters' scores for Basic Seat, then the sum for Flag, etc. The mount and horse scores are not used.
  - 3) Barrel: Score for Content and then score for Performance.
- e) Ties that cannot be broken as stated, remain ties.

For all events with two (2) or more judges, each judge's scores shall be carried forward per the above.

### **Article 303. Penalties and Deductions.**

1. Compulsories — Team and Individual Events:
  - a) Up to one (1) point deducted for:
    - 1) Each landing other than on both feet
  - b) One (1) point deducted for:

## 2019 AVA RULES FOR VAULTING

---

- 1) Each stride less than four (4) (Basic Seat, Flag, Stand)
  - 2) Each passing of the leg out of a 4-count rhythm in the Mill, including dismount
  - 3) Rhythm failure between the first and second leg pass in Half-Mill
  - 4) Interfering with lunge line or side reins
  - 5) Touching neck in Flag without loss of form
  - 6) No kneel (both knees) before Flag or Stand
  - 7) Legs not open in Swing Backwards
  - 8) Legs not closed in the Swing Forwards.
- c) Up to two (2) points deducted for:
- 1) Time wasted: more than two (2) strides between taking grips and vaulting on, before commencing an exercise, and between parts of an exercise
  - 2) Landing heavily on horse's back
  - 3) Buttocks leaving horse during any phase of the Mill or Half Mill.
- d) Two (2) points deducted for:
- 1) Exercise fails, but vaulter stays on and repeats successfully
  - 2) Retaking grips in Basic Seat, Flag or Stand
  - 3) Touching horse with hand behind surcingle in Mill or Half-Mill
  - 4) Repeating an exercise or part of an exercise
  - 5) Repeating Mount (first attempt unsuccessful, second attempt successful)
- e) Score of zero (0) for:
- 1) Coming off horse during a compulsory exercise
  - 2) Retaking grips twice
  - 3) Repeating a compulsory exercise twice
  - 4) Turning the wrong way in the Scissors 1st part or Scissors 2nd part.
  - 5) Performing Mill in wrong direction (to outside) after Swing Backwards, (Swing Backwards receives the zero)
  - 6) A compulsory exercise, no part of which is performed at the required gait
  - 7) Each compulsory exercise not performed
  - 8) A compulsory exercise shown out of order
    - When two (2) compulsories are transposed, the first exercise shown out of order receives the zero (0).
  - 9) Repeating Mount (attempting to mount twice but not successful; third attempt is successful, but receives zero)
    - In Individual Events, after third unsuccessful attempt to mount, the vaulter is excused from the ring.
    - In Team Events, after third unsuccessful attempt to mount, the vaulter returns to the line and receives a zero for all

## 2019 AVA RULES FOR VAULTING

---

compulsory exercises. The next team member proceeds.

10) In Team Events, each compulsory exercise shown out of order

11) In Team Events, exercises begun after the time limit

2. Freestyle and Technical Test Performance score — Team, Pas de Deux and Individual Events:

a) Up to one (1) point deducted for:

1) In Team Events, for each landing other than on both feet (See FEI Guidelines 4.5.1 Performance Falls for definition and deductions)

b) One (1) point deducted for:

1) In Individual 3\* Technical Test, each stride held less than four (4) (required exercises: reverse stand, lower arm stand, and reverse stand split).

c) Up to two (2) points deducted for:

1) Falls (See FEI Guidelines 4.5.1 Performance Falls for definition and deductions)

3. Freestyle and Technical Test Composition/Content score – Team, Pas de Deux and Individual Events:

a) Up to one (1) point deducted for:

1) In all Events, any freestyle and/or Technical Test that is short.

b) One (1) point deducted for:

1) In all Events, any exercise (including the dismount) commenced after the time limit. (See Article 112.1)

2) In Individual Copper and Individual Trot for performing a dismount with a DOD of R, D or M.

3) In C Team and Trot Team for performing more than six (6) static triple exercises.

c) Up to two (2) points deducted for:

1) In Team Event, over weighting and/or overloading the horse

d) Two (2) points deducted for:

1) Each vaulter not performing at least one (1) exercise in addition to the vault-on in Team Freestyle

2) Ground jumps and leaps in Individual Copper and Individual Trot Event.

4. Not scored in Freestyle and Technical Test – Team, Pas de Deux and Individual Events:

a) Each static exercise held for less than three (3) strides at the required gait

b) Compulsory exercises

c) An exercise no part of which is performed at the required gait

d) Repetition of any exercise

e) A triple exercise in which two (2) vaulters are not in contact with the horse

## 2019 AVA RULES FOR VAULTING

---

5. Freestyle Horse/General Impression score — Team, Individual & Pas de Deux: In Team, Individual & Pas de Deux Events, the score for the Horse and General Impression is divided approximately as follows: 90% for Horse; 10% for General Impression.

Horse:

- a) Deductions at the discretion of the judge for:
  - 1) Lack of balance
  - 2) Not straight on the circle
  - 3) Impure gaits
  - 4) Uneven and/or un-level
  - 5) Poor condition
  - 6) Overloading, laboring, signs of discomfort
  - 7) Circle size

General Impression:

- a) Up to one (1) point deducted for:
    - 1) Audible instruction to vaulters
    - 2) Lunging and presentation
  - b) One (1) point deducted for:
    - 1) Each team member not wearing a number
  - c) Up to two (2) points deducted for:
    - 1) Lunging on a circle significantly deviant from 13 to 15 meters (circle size)
  - d) Up to four (4) points deducted for:
    - 1) Vaulters, longeur or horse inappropriately turned out
    - 2) Side reins forcing a horse's head behind the vertical
    - 3) All six (6) vaulters on a team not performing in the Freestyle
    - 4) Manes not braided or roached
6. Elimination — Team, Individual Events & Pas de Deux Events:
- a) In National Team Event, entering the ring with more than a longeur, team of six (6) and one (1) substitute for the compulsory section (a team must have a minimum of six vaulters to begin).
  - b) In Team Event, entering the ring with more than or less than a longeur and a team of six (6) for the freestyle section.
  - c) In Team Event, the substitute enters the ring but does not perform the Compulsories.
  - d) In Team 2-Phase Event, entering the ring with more than a longeur, team of four (4) and one (1) substitute for the compulsory section (a team must have a minimum of four (4) vaulters to begin)
  - e) In Team 2-Phase Event, entering the ring with more than or less than a team of four (4) for the barrel freestyle section.
  - f) In Team 2-Phase Event, the substitute enters the ring but does not perform the Compulsories.
  - g) In Team Event, approaching the horse without the purpose of

## 2019 AVA RULES FOR VAULTING

---

- mounting.
- h) In Individual Event, if vaulter enters circle before previous vaulter begins vault off, entering vaulter will be eliminated.
  - i) Illegal use of substitute
  - j) Horse that is uneven and/or un-level, in bad condition or which shows signs of discomfort or fatigue
  - k) Abuse of the horse
  - l) An unforeseen circumstance
  - m) More than three (3) vaulters on the horse at any one time or in any exercise whether actually on the horse or not
  - n) After the maximum number of vaulters allowed to use the horse in any day, all additional vaulters who performed on the horse will be disqualified from the class(es) in which the violation occurred.
  - o) Use of non-allowable equipment
  - p) Team or vaulter not saluting the Chief Judge within one (1) minute of the judge's signal to enter
  - q) Vaulter leaves the arena without saluting the Judge at A (unless excused by judge).
  - r) Team or vaulter not commencing the performance within thirty (30) seconds of the judge's signal to begin
  - s) Spotting and/or boosting from the ground
  - t) Unauthorized assistance not specified elsewhere
  - u) Use of dress other than defined
  - v) In the event the team/individual is eliminated, the judge should state his reason on the score sheet.
    - If a team or individual vaulter is eliminated for an infraction of the rules during any section of the event, that team or individual(s) may compete in the other sections of the event and receive awards and placings in those sections. However, they may not receive overall awards or placings.
    - In individual competition, if a horse is excused for misbehavior, and a vaulter has touched the horse or grips to begin his performance, the vaulter is eliminated. Vaulters also in the arena waiting to perform on that horse may be allowed to compete at a later time, on a different horse, at the discretion of the competition management and in accordance with the rules. The horse is excused from that class only, and may return if entered in later classes.

### **Article 304. Team Canter and Team Trot Event Scoring**

#### 1. Compulsory section:

- a) The compulsory scores of the six (6) vaulters are added creating a single score for each of the compulsory exercises. In Recognized National Team Event, the vaulters whose scores are included are those declared by the team coach to perform in the Freestyle. The score for the vaulter who does not perform in the Freestyle is

## 2019 AVA RULES FOR VAULTING

---

- dropped.
- b) The compulsory score sums are averaged for the six (6) vaulters by adding each of the scores together and dividing by six (6). The Horse/GI score is added to the resultant value and then the sum is divided by seven (7). This is the team's score for the compulsory section.
2. Freestyle section:
- a) Degree of Difficulty (x15%)
  - b) Composition (x25%)
  - c) Performance (x40%)
  - d) Horse/General Impression (x20%)
  - e) The four (4) Freestyle scores are totaled. This is the team's score for the Freestyle section.
3. Final score:
- a) The team's Compulsory score and Freestyle score are added and divided by two (2). This is the team's final score for the event.

### **Article 305. Individual 3\*, Gold, Silver and Bronze Event Scoring.**

1. Compulsory section (Score 1):
- a) The Compulsory scores and the Horse/General Impression score are added and divided by the sum of the number of compulsories plus one (1) for the Horse/General Impression score.
2. Freestyle section (Score 2 for Bronze, Silver, and Gold; Score 3 for Individual 3\*):
- a) Degree of Difficulty (x15%)
  - b) Composition (x25%)
  - c) Performance (x40%)
  - d) Horse/General Impression (x20%)
  - e) The four (4) Freestyle scores are totaled.
3. Technical Test Section (Score 2 for Individual 3\*):
- a) The five (5) performance scores are added together and divided by five (5). This number is (x50%)
  - b) Composition (x25)
  - c) Performance (x10)
  - d) Horse score/General Impression (x15)
  - e) The four (4) scores are totaled.
4. Final score:
- a) For Bronze, Silver, Gold and Individual 3\* all three (3) scores are added together and divided by three (3) to produce the final score.

### **Article 306. Individual Copper and Individual Trot Event Scoring**

1. Compulsory section (Score 1)
- a) The seven (7) Compulsory scores and the Horse/General Impression score are added. Total is divided by eight (8).

## 2019 AVA RULES FOR VAULTING

---

2. Freestyle section (Score 2)
  - a) Content (x2)
  - b) Performance (x3)
  - c) Horse (x1)
  - d) Total is divided by 6.
3. Final score:
  - a) Scores 1 and 2 are added and divided by two (2) to produce the final score for the event.

### **Article 307. Pas de Deux Event Scoring-Open and Preliminary.**

1. Open and Preliminary Freestyle I (Score 1):
  - a) Degree of Difficulty (x15%)
  - b) Composition (x25%)
  - c) Performance (x40%)
  - d) Horse/General Impression (x20%)
  - e) The four (4) freestyle scores are totaled, and this is the score for the Freestyle section.
2. Open and Preliminary Freestyle II (Score 2):
  - a) Degree of Difficulty (x15%)
  - b) Composition (x25%)
  - c) Performance (x40%)
  - d) Horse/General Impression (x20%)
  - e) The four (4) freestyle scores are totaled, and this is the score for the Freestyle section.
3. Final score (Open and Preliminary):
  - a) Scores 1 and 2 are added and divided by two (2) to produce the final score for the event if two (2) rounds are offered.
  - b) If only one (1) round is offered the final score is the score for Freestyle I.

### **Article 308. Pas de Deux Event Scoring-Trot.**

1. Trot Freestyle I:
  - a) Content (x2)
  - b) Performance (x3)
  - c) Horse/General Impression (x1)
  - d) Total is divided by six (6).
2. Trot Final score:
  - a) The final score is the score for Freestyle I.

### **Article 309. Team Two-Phase Event Scoring.**

1. Compulsory section (Score 1):
  - a) The compulsory scores of the four (4) vaulters are added creating a single score for each of the compulsory exercises.
  - b) Open Team: the eight (8) compulsory score sums are averaged for the four (4) vaulters by adding each of the 8 scores together and dividing by four (4). The Horse/General Impression score is added



## 2019 AVA RULES FOR VAULTING

---

- to the resultant value and then the sum is divided by nine (9). This is the team's score for the compulsory section.
- c) Preliminary Team: the seven (7) compulsory score sums are averaged for the four (4) vaulters by adding each of the seven (7) scores together and dividing by four (4). The Horse/General Impression score is added to the resultant value and then the sum is divided by eight (8). This is the team's score for the compulsory section.
2. Barrel section (Score 2):
    - a) Content (x1)
    - b) Performance (x1)
    - c) General Impression (x1)
    - d) Total is divided by three (3).
  3. Final score
    - a) Scores 1 and 2 are added and divided by two (2) to produce the final score for the Event.

### CHAPTER IV. MEDALS

**Article 401. General Rules.** (See also Standing Rules, Section IX.)

1. Eligibility:
  - a) Only registered vaulters of AVA and Individual Members in good standing may take medal exams.
  - b) Affiliate members may take the Novice award only.
  - c) All medal exam fees for each examinee must be paid prior to the start of the medal exam. No vaulter will be tested whose fee has not been received by the Medal Test Secretary or the examiner.
2. Examiner:
  - a) All medal exams must be given by an AVA Recognized Judge.
  - b) The Gold medal exam must be given by an International "I" Judge.
3. Format:
  - a) Exams may be taken in any order.
  - b) Full requirements for each exam must be taken regardless of how many exams are taken in one (1) day.
  - c) Only the medal for the exam that was applied for may be awarded. (For example, Novice pins may not be awarded in lieu of failed Trot exams).
  - d) When exams are taken to the right, all Freestyle moves must also be performed to the right.
  - e) Horses may be changed at the discretion of the examiner. If a horse misbehaves or is uneven and/or un-level, in bad condition, or shows signs of discomfort or fatigue the examiner may stop the exam.
  - f) Horses and/or longeurs may be substituted between Compulsories and Freestyle, but not at any other time.
  - g) Scoring, penalties and deductions are the same as in competitive events.

## 2019 AVA RULES FOR VAULTING

---

- The maximum score of each exercise is 10. Decimals are allowed.
- h) A vaulter may have two repeats to receive a passing or higher score. For all repeats a simple dismount (leg over neck to inside) is the proper dismount to use.
  - i) If a vaulter passes an exam, the exam may not be retaken for a higher score. If a vaulter fails an exam, the exam may be retaken only once in the next 30-day period.
  - j) Compulsories are performed in the same format as in Individual Event.
  - k) The Mount is not scored in any medal exams. Assisted Mounts are allowed only in Novice exams.
  - l) In Bronze, Silver and Gold exams, not more than two (2) Freestyle exercises may be performed together without dismounting.
  - m) Freestyle exercises and their assigned Degree of Difficulty are listed in the current *FEI Code of Points*. If the exercise to be performed is not listed, contact the Medal Test Secretary for approval of the exercise.
  - n) Many Freestyle exercises and their assigned Degree of Difficulty are listed in the FEI Vaulting Code of Points. If the exercise to be performed is not listed, contact Medal Test Secretary for approval of exercise.

**Article 402. Novice Award Requirements.** Performed at walk, trot or canter to the left.

- 1. May be taken at three (3) gaits: Walk, trot and canter to the left only.
- 2. The compulsory exercises to be performed are as in Trot Individual (see Art. 219).
- 3. The Mount is not scored for Novice award. An assisted mount is allowed for Novice award at all gaits. Vaulter must then perform the remaining six (6) compulsories with a minimum score of three (3) for each exercise. Judged on:
  - a) Correct mechanics: Half-Mill performed in the correct direction with attempted rhythm; Basic Seat, Flag and Stand held four (4) strides with arms out
  - b) Demonstrate awareness of safety
- 4. Two (2) repeats allowed as for other medal exams.
- 5. Spotters are allowed, but if the spotter assists the vaulter in any way, except for the Mount, the exercise will fail. Exercise may be repeated as in (4) above.
- 6. If the form is so bad as to affect the basic mechanics, the exercise will fail.
- 7. Award may not be given commended or with honors.
- 8. Minimum passing score: 30%.
- 9. All other rules for medal exams apply.

## 2019 AVA RULES FOR VAULTING

---

**Article 403. Trot Medal Requirements.** Performed at trot to the left or to the right.

1. Trot medal may be taken in both directions.
2. The compulsory exercises to be performed are as in Trot Individual Event. (See Article 219)
3. The Mount is not scored for Trot exam. Vaulters must perform the six (6) remaining compulsory exercises. The minimum score for all exercises is 5.0, except the minimum score for the Swing Forward is 4.5.
5. The total score of all exercises must average 50%.
6. No spotters allowed.
7. Minimum Passing Score: 50.00%
8. Award may not be given commended or with honors.

**Article 404. Bronze Medal Requirements.** Performed at canter to the left or to the right.

1. Bronze medal may be taken in both directions.
2. The compulsory exercises to be performed are as in Bronze Individual Event (See Article 213).
3. The Mount is not scored for Bronze exam. Vaulters must perform the seven (7) remaining compulsory exercises and any four (4) Freestyle exercises having an assigned Degree of Difficulty M or E. (No Degree of Difficulty D's are allowed.)
4. The minimum score for all exercises is 5.0.
5. Final score: Satisfactory: 50.0% — 59.9%  
Commended: 60.0% — 69.9%  
With Honors: 70.0% — 100.0%

**Article 405. Silver Medal Requirements.** Performed at canter to the left or to the right.

1. Silver medal may be taken in both directions.
2. The compulsory exercises to be performed are as in Silver Individual Event (See Article 210.2)
3. The Mount is not scored for Silver exam. Vaulters must perform the remaining seven (7) compulsory exercises, and any six (6) Freestyle exercises having an assigned Degree of Difficulty R, D or M.
4. The total score of all exercises must average 65.0% with no exercise receiving less than a 6.0.
5. Final score: Satisfactory: 65.0% — 69.9%  
Commended: 70.0% — 79.9%  
With Honors: 80.0% — 100.0%

**Article 406. Gold Medal Requirements.** Performed at canter to the left or to the right.

1. Gold medal may be taken in both directions.

## 2019 AVA RULES FOR VAULTING

---

2. The compulsory exercises to be performed are as in Gold Individual Event (See Article 210.1).
3. The Mount is not scored for Gold exam. Vaulters must perform the remaining eight (8) compulsory exercises and any eight (8) Freestyle exercises having an assigned Degree of Difficulty R or D.
4. The total score of all exercises must average 80.0%, with no exercise scoring less than 7.5.
5. Final score: Satisfactory: 80.0% — 82.9%  
Commended: 83.0% — 85.9%  
With Honors: 86.0% — 100.0%

### CHAPTER V. JUDGES

#### Article 501. Recognized Judges.

1. International Judge “I”:
  - a) International Judges “I” may judge all levels of medal exams.
  - b) International Judges may judge all recognized competitions.
2. Registered Judges “R”:
  - a) Registered “R” Judges may judge all levels of medal exams except Gold.
  - b) Registered “R” Judges may judge all recognized competitions.
3. Recorded Judges “r”:
  - a) Recorded “r” Judges may judge all levels of medal exams except Gold.
  - b) Recorded “r” Judges may judge all recognized competitions.

#### Article 502. Rules for Recognized Judges.

1. Active status:
  - a) Recognized Judges must maintain Individual Membership in good standing throughout the calendar year.
  - b) Judges must attend the AVA Judges Forum each year and a minimum of one (1) additional training each year, and/or the equivalent as determined by the Technical Committee.
  - c) A judge may not have outstanding debts to the AVA.
2. Inactive status:
  - a) A judge who does not fulfill the above requirements will be placed on inactive status and may not judge until reinstated.
  - b) A notice will be sent to the judge placed on inactive status.
  - c) A judge placed on inactive status may be required to take a written test before reinstatement.
  - d) The judge may be reinstated upon fulfillment of the above requirements.

#### Article 503. Promotion to International Judge “I”.

1. Eligibility:
  - a) Advancement to International Judge “I” requires the approval of the

## 2019 AVA RULES FOR VAULTING

---

AVA Technical Committee.

### **Article 504. Promotion to Registered Judge “R”.**

1. Applicant must attend a minimum of eight (8) judges’ general training sessions, after their promotion to Recorded “r” status, two (2) of which must be AVA Judges Forums. In addition, special training sessions may be assigned to any or all applicants depending on experience.
2. Applicant must have judged a minimum of six (6) AVA Recognized Competitions, four (4) of which he/she must have served as Chief Judge for the entire competition;
3. Applicant must have judged a minimum of four (4) USEF Recognized Competitions, two (2) of which he/she must have served as Chief Judge for all USEF Recognized Events offered.
4. Advancement to Registered Judge “R” requires approval of Technical Committee.
5. Applicant must pass a written and or practical exam, generally given at Annual Judges Forum.
6. A fee is required on promotion to Registered Judge “R”.

### **Article 505. Certification as an AVA Recorded Judge “r”.**

1. Applicant must attend a minimum of eight (8) judges general training sessions, two (2) of which must be AVA Judges Forums. In addition, special training sessions may be assigned to any or all applicants depending on experience.
2. Applicant must clerk or time with a Recognized Judge for all types of recognized events. Applicant must fulfill this requirement with a minimum of three (3) different Recognized Judges. Applicant is responsible for maintaining and submitting a record of the clerking and timing hours to the Technical Committee Chair.
  - a) Recognized Team Events: Canter, Two-Phase, Trot
  - b) Recognized Individual Events: Individual 3\*, Gold, Silver, Bronze, Copper, Trot, Pas de Deux
3. Applicant must have experience as a clerk during medal exams.
4. Applicant must pass a written and/or practical exam.
5. A fee is required on promotion to Recorded Judge “r”.

### **Article 506. Apprentice Program.**

1. Eligibility:
  - a) Applicant must be at least twenty-one (21) years of age.
  - b) Applicant must have been an active Individual Member, in good standing for at least two (2) years.
  - c) Applicant must have attended at least one (1) National Championships, two (2) Annual Meetings, and one (1) designated Open Judges Forum, approved by Technical Committee prior to applica-

## 2019 AVA RULES FOR VAULTING

---

tion. Technical Committee shall make every attempt to offer an Open Judges Forum at the AVA Annual Meeting each year. Additional Open Forums may also be offered by the Technical Committee during the year.

- d) Applicant must have experience as a clerk at a vaulting competition.
- e) Applicant must have experience as a timer at a vaulting competition.

### 2. Application:

- a) Applicants must submit a completed application form to the Chairman of the Technical Committee along with the required fee. This application must be on the official form and must be submitted by mailing or hand delivery.
- b) The following information is requested of the applicants:
  - 1) Reason for wanting to be a judge
  - 2) Opinion of a judge's responsibilities
  - 3) Length of time involved in the sport and in what capacities
  - 4) Basic experience:
    - As a vaulter
    - As a coach or instructor
    - As a judge
    - As a worker/administrator at competitions, fests, medal exams, annual meetings (committee work) and judges forums
    - Judging experience in any other field
    - Experience as a vaulting clerk or timer
  - 5) Names and addresses of three (3) and a maximum of five (5) character references, three (3) Registered "R" or "I" Judges, and a minimum of three (3) and a maximum of five (5) other AVA Individual Members who are not affiliated with the applicant's club (if any). Nine (9) references, including all three "R" or "I" Judge references, a minimum of three (3) character references and a minimum of three (3) AVA Individual Member references must be completed and returned before the application will be considered.
- c) If candidate is unknown to any Registered "R" Judge (for reasons such as residence in an inactive region), their application will be given special consideration by the screening panel.
- d) A nonrefundable filing fee must accompany the application.

### 3. Procedure:

- a) Applications will be accepted anytime during the calendar year. (See Standing Rules Section X.C).
- b) A screening panel appointed by the Technical Committee will review applications between October 1 and December 31 of each year.
- c) Applicants will be notified of the decision of the panel by March

- 1st. Applicants must then pass a written exam. The exam must be taken by June 30th of the year their application is approved by the screening panel. Applicants who are not accepted into the program may reapply the following year.
- d) A nonrefundable fee will be required from the applicants accepted into the Apprentice Judge's Program.
4. Rules for Apprentice Judges:
- a) Apprentices must maintain Individual Membership in good standing throughout the calendar year. A member in good standing is one:
    - 1) Who has paid current AVA dues by February 1st
      - Failure to do so will result in dismissal from the Apprentice Program.
    - 2) Who has no outstanding debts to the AVA
  - b) Must attend training sessions
  - c) Must complete the Apprentice Judge Program in three (3) years; one (1) request for a one-year extension of time may be granted by Technical Committee upon written request of the Apprentice Judge.
  - d) May not judge any medal exams
  - e) May not judge any recognized national events

## CHAPTER VI. PROTESTS AND GRIEVANCES

### Article 601. Protests.

1. Rules:
  - a) May be concerned only with infractions of the rules as published in the AVA Rule Book
  - b) May not be made against the judge's scoring or judging
    - The judge's decision, representing his individual preference, is final.
  - c) May be submitted only by members of the AVA in good standing
    - If the protesting party is other than a team coach, and is affiliated with a team, the protest must be co-signed by the coach of that team.
  - d) The protest must be submitted prior to the close of the competition.
2. Procedures:
  - a) Must be submitted on an official AVA Protest form, available from the show manager
  - b) Must be completely filled out, signed and returned to the show manager in a sealed envelope
  - c) Must be accompanied by a fee, refundable only if the protest is upheld
  - d) The protest will be submitted (sealed) to the President of the Ground Jury, who is the Chief Judge.

## 2019 AVA RULES FOR VAULTING

---

- e) The Ground Jury shall make an on-the-spot ruling. In the absence of a Ground Jury, the Chief Judge may, in their best judgment, do one (1) of the following:
  - Make an on-the-spot ruling
  - Refer the protest to the Technical Committee within seventy-two (72) hours for a ruling
- f) On-the-spot decisions by the Ground Jury or the Chief Judge are final and may not be protested.
- g) On-the-spot decisions will not be negated by later rules; however, these decisions do not establish a precedent for later rulings.
- h) The decision of the Ground Jury or Chief Judge will be recorded on the AVA Official Protest form, signed and the show manager will be notified of the decision.
- i) All protests will be mailed by the Chief Judge or the President of the Ground Jury to the Chairman of the AVA Technical Committee.
- j) The protesting party will be notified of the decision.
- k) All protests will be kept on file.

### **Article 602. Grievances.**

- 1. Rules:
  - a) May be concerned only with a complaint which is not governed by a rule
  - b) May be submitted only by a Individual Member of the AVA in good standing
  - c) May pertain only to incidents which occur during an AVA activity
  - d) May not be made against the judge's scoring or judging
    - The judge's decision, representing his/her individual preference, is final.
- 2. Procedures:
  - a) Must be submitted on an official AVA Grievance form, available from the Show Manager
  - b) Must be completely filled out, signed, and filed with the President of the AVA within seventy-two (72) hours of the alleged incident
  - c) Must be accompanied by the required fee; half of which will be refunded if the grievance is upheld
  - d) Within fifteen (15) days of the receipt of the official grievance, the President shall:
    - Notify, in writing, the parties accused in the alleged incident
    - Submit the grievance to the Chairman of Grievance Committee for investigation
  - e) The Grievance Committee shall have prepared within sixty (60) days or by the next Board of Directors meeting, whichever comes first, a written review of the alleged incident which shall include:



## 2019 AVA RULES FOR VAULTING

---

- Signed statements of witnesses
  - Any written documentation
  - All facts garnered
- f) The written review, including all statements and documents, and the recommendation of the Grievance Committee, shall be submitted to the President of the AVA for presentation to the Board of Directors for a decision.
- g) The parties accused of the alleged incident shall be notified in writing at least 30 days prior to the Board of Directors meeting that the Board will be reviewing the matter of the Grievance in a closed session, and that they may be present and be heard by the Board during the Board's review. The parties accused may also submit a written statement to the Board via the President of the AVA, if they so choose.
- h) If the grievance lacks sufficient merit, or the Grievance Committee is unable to garner sufficient supporting evidence, the Board may move to dismiss the allegation and take no action.
- i) The accused parties and the parties filing the grievance shall receive written notification of the decision of the Board within ten (10) days after the Board of Directors meeting.
- j) The matter of the grievance and the decision of the Board may be published in *Equestrian Vaulting Magazine* within ninety (90) days.
- k) All written documents, statements, reports of the Grievance Committee, and the decision of the Board of Directors shall remain on file with the President of the AVA and shall be kept confidential.

### CHAPTER VII. AMENDMENTS TO THE RULE BOOK

#### Article 701. Procedures.

1. Any registered member of the AVA in good standing may submit recommendations for amendments to the AVA Rule Book to the Chairman of the Technical Committee.
2. All recommendations must be submitted in writing and include the following information:
  - a) Page and section(s) to be amended
  - b) Suggestions for recommended wording
  - c) Specific reason for the requested amendment, including examples, if possible
3. All recommendations will be reviewed by the Technical Committee.
4. Action taken by the Technical Committee to amend the AVA Rule Book will be submitted to the Board of Directors for review and approval.
5. All rule changes will be published in *Equestrian Vaulting Magazine* and/or AVA Blast and will become effective on the date specified.

# **APPENDIX A**

## **CHAPTER VIII.**

Unless otherwise specified, all applicable rules (including Horse Use), point deductions and penalties from the rules for AVA National Recognized Events apply. Work on the Barrel is considered to be preparation for work on the Horse. Exercises that are not possible on the horse should not be performed in Barrel routines at competition.

### **Article 801. Eligibility.**

1. At AVA Recognized Competitions, vaulters, coaches and longeurs must be registered members of the AVA in good standing.

### **Article 802. Awards.**

1. Appendix A classes may be offered at AVA National Championships.
2. All Appendix A classes must be judged by an AVA Recognized Judge in order for scores to count towards high point or other Association Awards.

## **CHAPTER IX. INDIVIDUAL CANTER BARREL EVENT**

### **Article 901. Individual Barrel Event Requirements.**

1. Must be divided into Open and Preliminary.
  - a) Open—Any Canter vaulter.
  - b) Preliminary—May not hold a Silver or Gold medal or be competing at the Silver, Gold or Individual 3\* level.
2. May be divided into Men's and Women's divisions.

### **Article 902. Barrel Freestyle.**

1. Sixty (60) second maximum Freestyle routine, after which time judging ceases
2. Judged on:
  - a) Content (x1)—Use of space and pace, variety, originality, development, music interpretation, artistic merit, appropriateness of exercises and consideration of the horse/barrel.
  - b) Performance (x1)—Mechanics, essence, form, scope, security, balance, continuity and Harmony with the horse/barrel.
  - c) General Impression (x1)—Turnout, entry, exit, salute and comportment,
3. Scored as follows:
  - Content (x1)
  - Performance (x1)
  - General Impression (x1)
4. Total is divided by three (3) for final score.
5. See AVA Rules, Chapter III, Scoring, for penalties and deductions.

## CHAPTER X. INDIVIDUAL PRELIMINARY TROT HORSE EVENT

### Article 1001. Requirements.

1. Consists of one (1) round of Compulsories and a Freestyle performed in separate sections at the trot to the left.
2. Open to non-medaled vaulters; Novice Trot pin holders allowed.
3. Women's and Men's divisions must be offered.

### Article 1002. Preliminary Trot Horse Compulsories.

1. All compulsory exercises are performed without dismounts.
  - 1) Mount
  - 2) Basic Seat
  - 3) Flag
  - 4) Stand
  - 5) Swing Forward legs closed
  - 6) 1/2 Mill
  - 7) Swing Backward legs open, followed by dismount to inside (quarter mill around to inside off)
2. All vaulters performing on the same horse should follow one another immediately without waiting for the bell.
3. No time limit
4. Judged on:
  - a) Performance
    - 1) Mechanics
    - 2) Essence
    - 3) Form
    - 4) Scope
    - 5) Security
    - 6) Balance
    - 7) Continuity
    - 8) Harmony with the horse
  - b) Horse/General Impression
 

Horse (90%):

    - 1) Quality of the gait
    - 2) Submission
    - 3) Behavior
    - 4) Way of going
    - 5) Circle size

General Impression (10%)

    - 1) Entry
    - 2) Exit
    - 3) Salute
    - 4) Circle Size

## GUIDELINES - Appendix A

- 5) Lunging and presentation
  - 6) Comportment
  - 7) Turn out of vaulter and longeur
5. Falls:
- a) The vaulter may continue after a fall. He must remount within one (1) minute in order to continue with the next exercise.
  - b) The unsuccessful exercise receives a zero (0) and may not be repeated.
6. See AVA Rules Chapter III. Scoring, for penalties and deductions.

### **Article 1003. Preliminary Trot Horse Freestyle.**

1. Freestyle is a one (1) minute (maximum) routine of static and dynamic exercises.
  - a) A static exercise is one where contact, support or holding points do not change.
  - b) Static exercises must be held for three (3) full trot strides.
  - c) Vaulter **MUST** stay in contact with the horse. Ground jumps and leaps above the horse (including hop from knees to feet) are **NOT** allowed.
  - d) Two (2) points are deducted from the Content score for ground jumps or leaps above the horse.
  - e) Only dismounts chosen from the List of Dismounts shown in Appendix D of this Rule Book are allowed.
  - e) Repetitions of Freestyle exercises and compulsory exercises will not be counted.
2. Judged on:
  - a) Content (x1)—Use of space and pace, variety, originality, development, music interpretation, artistic merit, appropriateness of exercises and consideration of the horse.
  - b) Performance (x2)—Mechanics, essence, form, scope, security, balance, continuity and Harmony with the horse.
  - c) Horse/General Impression (x1)—Quality of the trot, submission, behavior, way of going, circle size, lunging and presentation.
3. Falls:
  - a) The vaulter may continue after a fall. He must remount within one (1) minute in order to continue with the next exercise. The unsuccessful exercise may be repeated.
  - b) The clock may be stopped for a maximum of one (1) minute for each fall. It will be restarted when the vaulter touches the grips or the horse.
4. See AVA Rules Chapter III. Scoring, for penalties and deductions.

*The following guidelines for conduct of unrecognized events are suggestions only, not rules to which competition management must adhere. The AVA does not govern unrecognized events. Competition management may alter events to meet local or regional needs and interests. Unrecognized classes that are offered at AVA Recognized Competitions, during the recognized competition hours, must adhere to certain AVA Rules (see Standing Rules, Section VIII.F.1). All barrel classes must follow the rules of the corresponding horse event, unless specified differently in the Prize List.*

### CHAPTER XI. TROT TEAM 2-PHASE EVENT

A two (2) section event performed in separate sections

#### Article 1101. Phase 1 — Horse.

1. Four (4) team members must perform all seven (7) compulsories at trot to the right. If a substitute enters the ring, he/she must also perform the Compulsories. No time limit.
2. Each of the exercises are performed as in Trot Team Event, except that the exercises are mirror-images of the exercises to the left.
3. All rules which apply to the Compulsory section of Trot Team Event also apply to this phase.
4. Judged on:
  - a) Performance
    - 1) Mechanics
    - 2) Essence
    - 3) Form
    - 4) Scope
    - 5) Security
    - 6) Balance
    - 7) Continuity
    - 8) Harmony with the horse
  - b) Horse/General Impression:
    - Horse (90%):
      - 1) Quality of the gait
      - 2) Submission
      - 3) Behavior
      - 4) Way of going
      - 5) Circle size
    - General Impression (10%)
      - 1) Entry
      - 2) Exit
      - 3) Salute

## GUIDELINES - Appendix A

- 4) Circle Size
- 5) Lunging and presentation
- 6) Comportment
- 7) Turn out of team and longeur

### **Article 1102. Phase 2 — Barrel.**

1. Three (3) minute Freestyle routine
2. All applicable rules as for 2-Phase Team Freestyle will apply. No other equipment or attachments to the barrel are allowed.
  - No spotters are allowed.
  - No trampolines are allowed.
  - No more than three (3) vaulters may be in any exercises at any time.
3. Time:
  - a) Begins when the first vaulter(s) touches the barrel
  - b) Judging ends after three (3) minutes or when the last vaulter touches the ground, at which time a bell will sound.
4. Judged on:
  - a) Content (x1)—Use of space and pace, variety, originality, development, music interpretation, artistic merit, appropriateness of exercises and consideration of the horse/barrel.
  - b) Performance (x1)—Mechanics, essence, form, scope, security, balance, continuity and harmony with the horse/barrel.
  - c) General Impression (x1)—Turnout, entry, exit, salute and comportment
5. See AVA Rules Chapter II. Scoring, for penalties and deductions

## **CHAPTER XII. INDIVIDUAL TROT BARREL EVENT**

### **Article 1201. Eligibility.**

1. Consists of one (1) round of Freestyle
2. Women's and Men's divisions may be offered
3. Open to trot medaled vaulters or below

### **Article 1202. Barrel.**

1. Sixty (60) second freestyle routine
2. Judged on:
  - a) Content (x1)—Use of space and pace, variety, originality, development, music interpretation, artistic merit, appropriateness of exercises and consideration of the horse/barrel.
  - b) Performance (x1)—Mechanics, essence, form, scope, security, balance, continuity and Harmony with the horse/barrel.
  - c) General Impression (x1)— Turnout, entry, exit, salute and comportment.
3. See AVA Rules Chapter III. Scoring, for penalties and deductions.

# APPENDIX B

## CHAPTER XIII.

1. Unless otherwise specified, all applicable rules (including Horse Use), point deductions and penalties from the AVA Rules for National Recognized events apply.
2. Competitors must be Members of the AVA in good standing
3. Competitor's scores from AVA Recognized Competitions are qualifying scores for regional awards.
4. Appendix B classes are not offered at AVA National Championship Fest.
5. Show management may allow assisted Mounts. Assisted Mounts can be scored (with or without a deduction) if management chooses or receive a zero (0).

## CHAPTER XIV. "D" TEAM EVENT

### Article 1401. Requirements.

1. Consists of one round of Compulsories and Freestyle performed at the trot or canter to the left in separate sections
2. Only scores from teams of 6 vaulters performing both Compulsories and Freestyle will count toward Regional Awards.

### Article 1402. Eligibility.

1. Teams comprised of 4-6 vaulters, a substitute and longeur must be members of a registered AVA Club in good standing.
2. Vaulters may not hold a canter medal.
3. Vaulters may compete at the same competition in Individual Trot, Trot Pairs, or Individual Trot Barrel events but may not compete in Trot Team Events, Individual Canter Events or other Canter Team Events.

### Article 1403. Compulsories.

1. Each vaulter performs the first block of modified compulsories as follows:
  - a) Mount to astride
  - b) Basic Seat with relaxed arms and hands placed on the vaulter's upper thighs
  - c) Half Flag with right leg stretched backward and upward, both hands on grips
  - d) Leg Passes:
    - Right leg swings in semi-circle over horse's neck to inside side seat, then back to astride.
    - Left leg swings over horse's neck to outside side seat, then back to astride.
    - Right leg swings over horse's neck for simple dismount to inside.
    - All leg passes are done in a 4-count rhythm.
2. Each vaulter then performs the second block of modified compulsories

## GUIDELINES - Appendix B

as follows:

- a) Mount to astride (this second mount not scored)
  - b) Back Swing (click)
    - From astride, legs swing forward for impulsion and then come together as high as possible over horse's croup, landing softly back into astride (one time only).
  - c) Free Kneel on both knees behind girth with straight line from shoulders through hips to knees. The vaulter's arms and hands are relaxed and hanging down alongside of the vaulter's thighs.
  - d) Half Flank off dismount to inside
3. Time allowed:
- a) The maximum time allowed for the performance of the modified compulsories is 7-1/2 minutes for 6 person teams.
  - b) Exercises performed after the time limit will receive a score of zero (0).
  - c) Time for the modified compulsories is taken from the moment the first vaulter touches the grips until the last vaulter to perform touches the ground in the dismount.
4. Each of the six (6) members must perform all seven modified compulsories in one section before the team's Freestyle begins.
5. Each vaulter must vault in order according to his number, with the exception of the substitute who vaults in the position of the person he replaces.
6. Each static exercise must be held for four full canter strides.
7. No spotters or unauthorized assistance is allowed.
8. Judged on:
- a) Quality of mount
  - b) Posture and head carriage
  - c) Harmony with horse (quietness of legs, softness of landings)
  - d) Form and stretch
  - e) Balance and security
  - f) Timing of leg passes
  - g) Mechanics
  - h) Horse/General Impression — gaits, behavior, way of going, circle size, lunging and presentation
9. Penalties and Deductions:
- a) Two (2) points off for starting with incorrect leg in leg passes
  - b) If vaulter is assisted in mount, the mount receives a zero.
  - c) See AVA Rules Chapter III. Scoring, for add'l penalties/ deductions.

### **Article 1404. Freestyle.**

1. Three-minute (3) Freestyle routine. The Freestyle begins when the first vaulter touches the grips and ends when the bell rings or when the last vaulter touches the ground in the dismount.
2. Each member of the team must perform in the Freestyle or the team will



be penalized under Content and Horse/General Impression score.

3. No more than two (2) vaulters may be on the horse at any time or in any exercise whether actually on the horse or not.
4. Both vaulters must be in contact with the horse in any double exercise.
5. No spotters or assisted mounts are allowed in the Freestyle routine.
6. Judged on:
  - a) Content (x1) — Use of space and direction, variety and appropriateness of exercises, development, time used, consideration of the horse/barrel.
  - b) Performance (x2) — Mechanics, essence, form, scope, security, posture and head carriage, balance, consideration for the horse, falls and collapses
  - c) Horse/General Impression (x1)  
Horse (90%):
    - 1) Quality of the gait
    - 2) Submission
    - 3) Behavior
    - 4) Way of going
    - 5) Circle sizeGeneral Impression (10%)
    - 1) Entry
    - 2) Exit
    - 3) Salute
    - 4) Circle Size
    - 5) Lunging and presentation
    - 6) Comportment
    - 7) Turn out of team and longeur
7. See AVA Rules Chapter III. Scoring, for additional penalties and deductions.

### **CHAPTER XV. PRELIMINARY TROT TEAM HORSE COMPULSORIES EVENT**

#### **Article 1501. Requirements.**

1. Consists of one (1) round of modified compulsories as per Trot Team performed at trot to the left.

#### **Article 1502. Eligibility.**

1. Teams may be comprised of four (4) to six (6) vaulters and a longeur. They all must be members of a registered AVA club in good standing.
2. Vaulters may not hold a trot or canter medal. A Novice pin is allowed.

#### **Article 1503. Compulsories.**

1. The compulsory exercises are performed in one block as per Individual Trot (see Article 218). Each vaulter performs the Compulsories as follows:
  - 1) Mount
  - 2) Basic Seat

## GUIDELINES - Appendix B

- 3) Flag
  - 4) Stand
  - 5) Swing Forward legs closed
  - 6) 1/2 Mill
  - 7) Swing Backward legs open, followed by dismount to inside (quarter mill around to inside off)
2. No spotters or unauthorized assistance (other than the mount)
  3. No time limit
  4. Each member of the team must perform all compulsories.
  5. All static compulsory exercises must be held four (4) full trot strides.
  6. Judged on:
    - a) Form
    - b) Posture and head carriage
    - c) Harmony with horse (quietness of legs, softness of landings)
    - d) Stretch and essence
    - e) Balance and security
    - f) Timing of leg passes
    - g) Mechanics
  7. See AVA Rules Chapter III. Scoring, for penalties and deductions.

### **Article 1504. Horse/General Impression.**

1. One (1) score is given for Horse/General Impression.
2. Judged on:
  - Horse (90%):
    - 1) Quality of the gait
    - 2) Submission
    - 3) Behavior
    - 4) Way of going
    - 5) Circle size
  - General Impression (10%)
    - 1) Entry
    - 2) Exit
    - 3) Salute
    - 4) Circle Size
    - 5) Lunging and presentation
    - 6) Comportment
    - 7) Turn out of team and longeur

# APPENDIX C

## CHAPTER XVI. NOVICE EVENTS

These guidelines follow American Vaulting Association rules and Guidelines as closely as possible in these novice classes. They are designed to help and encourage vaulters who are unable to vault onto the horse without assistance. This may include, but is not limited to, handicap /special needs vaulters. There are no age limits.

### **Article 1601. General Requirements for all events in Appendix C:**

1. Vaulter must need an assisted mount onto the horse or onto the barrel. The assisted mount is scored on form only.
2. Vaulters may have spotters present during compulsories and freestyle. Vaulters will receive a deduction for assistance (other than the mount) in Novice Trot and Novice Advanced Walk but not in Novice Walk and Novice Modified Walk.

### **Article 1602. Eligibility for all events in Appendix C:**

1. Vaulters must be a Youth or Adult Member of the AVA.
2. Vaulters may not hold any medals with the exception of the novice pin.
3. Vaulters must have an assisted mount.

### **Article 1603. Individual Novice Trot Events:**

This event consists of one (1) round of Compulsories and Freestyle performed at the trot to the left.

1. Compulsories are the same as the Individual Trot event with the exception of the required assisted mount, which is scored on form only. Assistance of any compulsory exercise (with the exception of the mount) will result in a zero (0) for the assisted exercise.
2. Freestyle is a one (1) minute routine of static and dynamic exercises. An assisted mount is required with no penalty. Assistance of any freestyle exercise will result in a deduction of two (2) points from the total performance score. Exercises chosen for freestyle should be limited to Degree of Difficulty M or E only (as defined in the current FEI Vaulting Guidelines for Judges). Freestyle exercises other than M or E will result in a two (2) point deduction from content.

### **Article 1604. Individual Advanced Novice Walk Event:**

This event consists of one (1) round of compulsory and freestyle performed at the walk to the left.

1. Compulsories are the same as the Individual Trot event with the exception of the required assisted mount, which is scored on form only. Assistance of any compulsory exercise (with the exception of the mount) will result in a zero (0) for the assisted exercise.

## GUIDELINES - Appendix C

2. Freestyle is a one (1) minute (maximum) routine of static and dynamic exercises. An assisted mount is required with no penalty. Assistance of any freestyle exercise will result in a deduction of two (2) points from the total performance score. Exercises chosen for freestyle should be limited to Degree of Difficulty M or E only (as defined in the current FEI Vaulting Guidelines for Judges). Freestyle exercises other than M or E will result in a two (2) point deduction from content.

### **Article 1605. Individual Novice Walk Event:**

This event consists of one (1) round of Compulsories and Freestyle performed at the walk to the left.

1. Compulsories are the same as the Individual Trot event with the exception of the required assisted mount, which is scored on form only. Vaulters may have spotters present and no deductions will be taken for any assistance and/or spotting.

2. Freestyle is a one (1) minute (maximum) routine of static and dynamic exercises. An assisted mount is required with no penalty. Vaulters may have spotters present and no deductions will be taken for any assistance and/or spotting. Exercises chosen for freestyle should be limited to Degree of Difficulty M or E only (as defined in the current FEI Vaulting Guidelines for Judges). Freestyle exercises other than M or E will result in a two (2) point deduction from content.

### **Article 1606. Individual Modified Novice Walk Event:**

1. This event consists of one (1) section of the three (3) compulsory exercises.

Compulsories are performed in order after assisted mount: Basic Seat, 1/2 Flag and Free Kneel.

2. No freestyle is allowed at this level.

3. Vaulters may have spotters present and no deductions will be taken for any assistance and/or spotting.

### **Article 1607. Individual Novice Barrel Event.**

This event consists of compulsories and/or a one (1) minute Freestyle routine performed on the barrel.

1. Vaulters may not hold a trot or canter medal. A novice pin is allowed.

2. Vaulters may not hold a trot or canter medal. A Novice pin is allowed.

3. No aerial exercises are allowed.

4. No trampolines are allowed.

5. No spotters are allowed.

6. Judged on:

- a) Content (x1)—Use of space and pace, variety, originality, development, music interpretation, artistic merit, appropriateness of exercises and consideration of the horse/barrel.

- b) Performance (x1)—Mechanics, essence, form, scope, security, balance, continuity and Harmony with the horse/barrel.
  - c) General Impression (x1)—Turnout, entry, exit, salute and comportment.
7. See AVA Rules Chapter III. Scoring, for penalties and deductions.

### **Article 1608. Requirements.**

1. A one (1) minute Freestyle barrel routine performed on the barrel

### **Article 1609. Eligibility.**

1. Vaulters may not hold a trot or canter medal. A Novice pin is allowed.

### **Article 1610. Judged on:**

- 1.
- a) Content (x1)—Use of space and pace, variety, originality, development, music interpretation, artistic merit, appropriateness of exercises and consideration of the horse/barrel.
  - b) Performance (x1)—Mechanics, essence, form, scope, security, balance, continuity and Harmony with the horse/barrel.
  - c) General Impression (x1)—Turnout, entry, exit, salute and comportment.
2. See AVA Rules Chapter III. Scoring, for penalties and deductions.

## **CHAPTER XVII. SPECIAL PAIRS EVENT**

### **Article 1701. Requirements**

1. This is a pairs event consisting of one (1) round of Freestyle performed either on the horse at the walk or on the barrel.
2. The freestyle is a two (2) minute routine (maximum)
3. The pair consists of one (1) handicapped/special needs vaulter and one (1) AVA trot or canter vaulter.
4. Judged on:
- a) Content (x1)—Use of space and pace, variety, originality, development, music interpretation, artistic merit, appropriateness of exercises and consideration of the horse/barrel
  - b) Performance (x1)—Mechanics, essence, form, scope, security, balance, continuity and Harmony with the horse/barrel.
  - c) General Impression (x1)—Turnout, entry, exit, salute and comportment
5. See AVA Rules Chapter III. Scoring, for penalties and deductions.

## **AWARDS – Individual Novice Classes**

It is recommended that awards be given for Compulsories and Freestyle with all competitors receiving awards.

## APPENDIX D

### DESCRIPTION OF INDIVIDUAL 3\*/GOLD/SILVER/ BRONZE, A & B TEAM COMPULSORY EXERCISES (2\* and 3\*)

**MOUNT:** Vaulters run along the lunge line out to the horse's shoulder. Before taking the grips, the vaulter's hips and shoulders should be parallel with the horse's shoulders. After taking the grips, the vaulter jumps forward onto both feet, lowers his head and upper body and swings his right leg up immediately, as high as possible, lifting the pelvis higher than the head. The left leg should remain stretched down, and the body should remain facing forward (not turned in to the horse). When the pelvis is at its highest possible point, the vaulter should lower the stretched right leg and land softly and centered on the horse's back, upper body vertical, ready to perform the Basic Seat.

**BASIC SEAT (Not performed in Individual \*3):** Vaulters sit astride, erect and centered immediately behind the surcingle. The vaulter's legs are stretched down and in contact with the horse, forming a straight vertical line through the shoulder, hip and heel. The vaulter's shoulders should be parallel to the handles of the surcingle. The vaulter's arms are extended outward along the frontal plane, with the tips of the fingers at eye level. Legs are down and the front of the knees, ankles and toes form a straight line facing nearly forward. The vaulter should be looking straight ahead and sitting comfortably on the horse's back. This position must be held a minimum of four strides. Upon completion of the exercise, the vaulter takes the grips with both hands simultaneously.

**FLAG:** From seat astride, the vaulter comes to a kneeling position with both legs simultaneously and diagonally across the horse's back to perform the Flag. Vaulters' weight is spread evenly over the lower leg. The lower leg, from knee to toe, remains in permanent contact with the horse's back. The vaulter's head should remain up and looking forward, as the right leg and left arm are raised simultaneously and stretched to an even horizontal line (at least above the vaulter's shoulder and hip; ideally a horizontal line from fingertip to head level and toes); There is an even arc in the vaulter's body from the hand through the foot.

Right hand holds the grip; the shoulders are directly above the grips and the vaulter's hips and shoulders are parallel to the ground. Upon completion of the Flag (held a minimum of 4 strides), the vaulter simultaneously brings his right leg and left arm down, takes the grips, pushes weight onto his arms and stretches the left leg down and slides softly into seat position.

**MILL:** The Mill is an exercise in which the vaulter must remain seated throughout the exercise. In no phase may he/she abandon the seat position.

From forward seat astride, the vaulter makes a complete rotation on the horse's back in 4 evenly-timed phases. Each leg is stretched and carried over the horse in a high, wide arc, like a semi-circle. The down leg remains stationary and in contact with the horse. The upper body stays upright, centered and nearly vertical in each phase. Head and body rotate with each leg pass. The Mill has four phases and is performed in a four-stride count.

**Phase 1:** The vaulter carries his/her right leg over the horse's neck. Each grip is released and retaken as the leg passes. Phase 1 ends with the vaulter sitting in a sideways seat, facing the longeur, legs together and in contact with the horse.

**Phase 2:** The left leg is carried over the horse's croup. Phase 2 ends with the vaulter sitting backwards. The hands change position on the grips.

**Phase 3:** The right leg is carried over the croup. Phase 3 ends with the vaulter sitting in a sideways seat, facing the outside of the circle, legs together and in contact with the horse. The hands change position on the grips.

**Phase 4:** The left leg is carried over the horse's neck. Each grip is released and retaken as the leg passes. Phase 4 ends with the vaulter sitting in forward seat astride.

**SCISSORS 1st PART:** From seat astride, the stretched legs are swung upward (back) to reach nearly a handstand position with arms extended to attain maximum elevation. Without interruption in this movement, and at nearly the point of maximum elevation, the hips are turned to the left by a quarter of a turn so that the legs pass closely at an equal distance from the ground. The exercise is fulfilled by landing softly, upright and centered in reverse seat.

**SCISSORS 2nd PART:** The rotation of the body is finished before the vaulter lands softly, upright and centered in seat astride. From reverse seat, the vaulter swings the stretched legs upward, with the hips and feet reaching the highest possible point at the same time. The arms are extended to attain maximum elevation. The angle between the arms and torso is as great as possible. Without interruption of movement, the hips are turned to the right so the legs pass closely and cross at nearly the point of maximum elevation. The legs show a high arc with both feet an equal distance from the ground. The exercise is completed by landing softly, upright and centered in forward seat.

**STAND:** From seat astride, the vaulter comes softly to both knees simultaneously and immediately hops softly to both feet. Head remains up; eyes

## GUIDELINES - Appendix D

looking forward. The feet remain stationary with the vaulter's weight evenly distributed over the entire sole of the foot throughout the exercise. Feet are close at hip width and point forward. The grips are released simultaneously, as the vaulter rises to a high standing position, forming a straight line through the shoulder, hip and heel. The arms are immediately extended and stretched outward along the frontal plane, with the tips of the fingers at eye level. Upon completion of the static exercise (held for 4 strides), the arms are lowered alongside the body, and the vaulter reaches down to take the grips simultaneously with both hands. The head remains up, looking forward, while the vaulter slides smoothly with straight legs into astride position.

**FIRST PART OF FLANK (INDIVIDUAL 3\*/GOLD/SILVER/BRONZE/A AND B TEAM):** A straight axis of the body, which reaches nearly the vertical is the essence of the optimal mechanics of the Flank. A straight line continues throughout the body from the arms to the feet. A straight body axis is the main criteria for judging. An arched back can be deceiving and can simulate a higher elevation.

From seat astride, the stretched legs are swung upward (back) to reach a handstand position with the arms extended to attain maximum elevation. Without interruption in the movement, at the point of maximum elevation, the hips are bent sharply so that the legs come down to a near vertical position (creating a pike) during which the hips are momentarily over the surcingle. The vaulter slides softly into an upright sideways seat inside position, making contact with the horse first with the outside of the lower right leg.

In A Team, the vaulter performs leg over, back to seat astride as follows: From inside seat, the vaulter carries the stretched right leg over the horse's neck in a high, wide arc (like a semi-circle). The upper body remains erect and nearly vertical, while the left leg remains down and in contact with the horse, with no change in position. Handles are released and retaken as the leg passes.

For Silver/Bronze/B Team, after performing the First Part of Flank, the vaulter then performs a Push off to Inside to complete the compulsory dismount. From the inside seat the vaulter rotates his pelvis and his core to facing forward. After only a fluent, short moment of contact with the horse with the outside of the upper right leg and with closed legs and stretched hips, the vaulter pushes against the handles upwards and backwards (maximum of one track to the side, away from the Horse). The handles are released and the vaulter lands with legs hip width apart, hips and shoulders parallel to the horse's shoulders. The upper body slightly bent forward in the absorption phase of the landing and continues in a controlled run in the same direction as the Horse.

*Note: There is no separate score for the Push Off. Faults in the Push Off shall be deducted from the First Part of Flank.*



### **SWING OFF TO OUTSIDE FROM SEAT ASTRIDE (A TEAM [3\*]):**

From seat astride, the stretched, closed legs are swung upward (back) to reach a handstand position with the arms extended to attain maximum elevation. At the maximum arm extension, the vaulter pushes against the grips (pushing back toward the rear of the horse), and as a result of shoulder repulsion attains additional elevation and maximum flight. The vaulter lands to the outside, facing forward, on both feet.

### **FLANK 2ND PART (GOLD INDIVIDUAL [3\*] INDIVIDUAL):**

From an upright sideways (facing inside) seat, the vaulter swings the stretched, closed legs upward to reach a handstand position with the arms extended to attain maximum elevation. At maximum arm extension, the vaulter pushes against the handles and as a result of shoulder repulsion attains additional elevation and maximum flight, landing to the outside, facing forward, on both feet.

## **DESCRIPTION OF COPPER/TROT AND C/TROT TEAM, PRELIMINARY 2-PHASE TEAM COMPULSORY EXERCISES (1\*)**

**MOUNT:** See Compulsory 2\* and 3\* Mount

**BASIC SEAT:** See Compulsory 2\* and 3\* Basic Seat

**FLAG:** See 2\* and 3\* Compulsory Flag , **except (1\*):** upon completion of the static exercise (Flag), the vaulter lowers the right leg to a bench position. The 1\* Flag completes in the bench position.

**STAND:** The 1\* Stand begins from bench position. The remainder of the exercise is performed as the 2\* and 3\* Compulsory Stand.

**SWING FORWARD LEGS CLOSED:** From seat astride, the stretched legs are swung upward (back) to reach a handstand position. The vaulter's arms are extended to attain maximum elevation. The vaulter's legs are closed and stretched at maximum elevation. Without interruption in the movement, and at the point of maximum elevation, the vaulter returns softly to seat astride. A straight axis of the body which reaches nearly the vertical is the essence of the optimal mechanics of this exercise. A straight line continues throughout the body from the arms to the feet. A straight body axis is the main criteria for judging. An arched back can be deceiving and can simulate a higher elevation.

**HALF-MILL:** The Half-Mill has 2 phases. The vaulter may not abandon his/her seat position during either phase. The first phase is performed in a four (4) stride count, followed immediately by the second phase.

**Phase 1:** See 2\* and 3\* Compulsory Mill Phase 1

**Phase 2:** See 2\* and 3\* Compulsory Mill Phase 2.

## GUIDELINES - Appendix D

### **SWING BACKWARDS, LEGS OPEN FOLLOWED BY DISMOUNT**

**TO INSIDE:** From reverse seat, the vaulter swings their stretched and opened legs (hip width) upward, with the hips and feet reaching the highest possible point at the same time. The arms are extended to attain maximum elevation and the angle between arms and torso is as great as possible. Then the vaulter softly returns to reverse seat.

The vaulter then performs a reverse  $\frac{1}{4}$  mill by carrying the stretched left leg over the horse's croup, in a high wide arc to inside seat. The vaulter, while holding the inside grip, rotates to facing forward. With closed legs and stretched hips, the vaulter pushes against the grips upwards and away from the horse. They release the grips and lands with nearly closed legs and continues in the same direction as the horse.

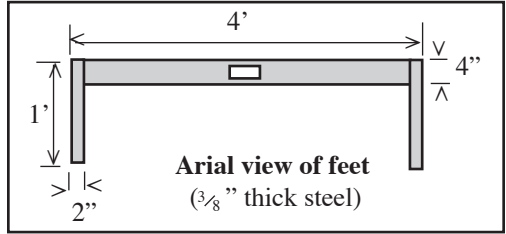
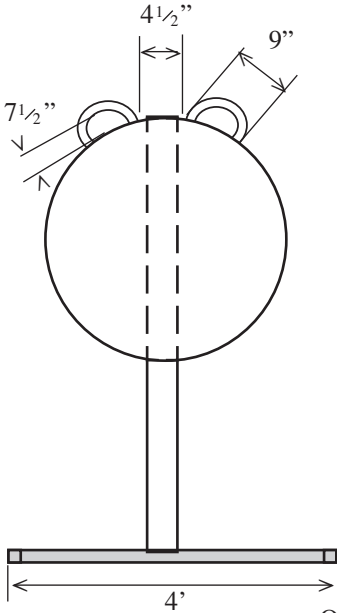
*Note: There is no separate score for the dismount. Faults in the dismount shall be deducted from the swing backwards.*

### **PROPOSED DISMOUNTS FOR INDIVIDUAL COPPER AND INDIVIDUAL TROT:**

1. Simple Vault off (leg over neck to inside or to outside)
2. V-Sit off (any direction) landing facing forward
3. Slide off out of inside or outside press – landing facing forward
4. Sliding off any seated, kneeling or lying exercise landing facing forward.
5. Any other Level E dismount that lands facing forward. Any Level E dismount landing in any other direction than forward will incur a deduction from the Content score.
6. Any Level E dismount landing in any other direction than forward will incur a deduction from the Content score.
7. Any R, D or M level dismount will incur a deduction from the Content score.
8. See AVA Rules Chapter III. Scoring, for penalties and deductions.

*Note: Deviations from described dismounts will incur deductions from Content score. Performing dismounts that are Level R, D or M will incur a one (1) point deduction from Content.*

## BARREL SPECIFICATIONS

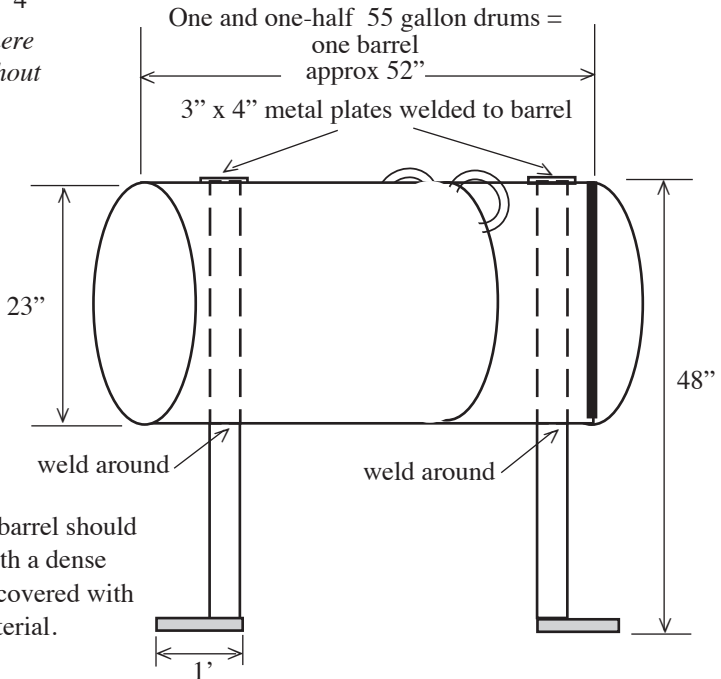


Vaulting barrels must be situated in an area clear of impediments (overhead and to the sides). The ground must be level, soft and springy.

Legs must not project beyond sides of barrel. The feet must be covered and it is best to secure them to the ground.

Barrel handles may be configured within the boundaries of any legal vaulting surcingle as defined in the FEI Vaulting Rules Article 719.2.3

*Dimensions here are given without padding.*



The finished barrel should be padded with a dense padding and covered with a durable material.

***For questions about any barrel to be used for AVA recognized competition, please contact the Chair of the Technical Committee.***



American Vaulting  
Association  
1443 E. Washington Blvd  
#289  
Pasadena, CA 91104